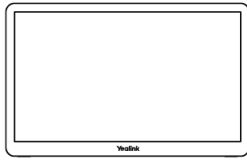
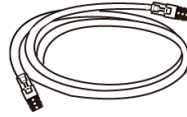


MTouch Plus Installation

Package Contents

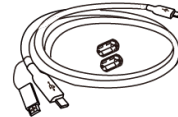


MTouch Plus



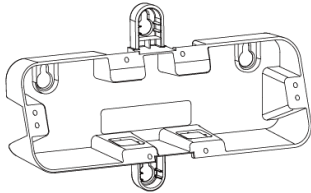
(7.5m, 24.6ft)

CAT5e UTP (RJ45 - RJ45) Cable



(1.2m, 3.94ft)

USB 3.1 (C - C, HDMI) Cable



(207.44 mm * 126.99 mm)

Mounting Bracket



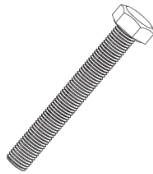
× 4

φ6 * 30 mm, white, Polyamide



× 4

4*30 FAHOZN3+ (+)



× 2

M8*60mm, SUS304



(M8, φ30*T2mm, SUS304)

Washer



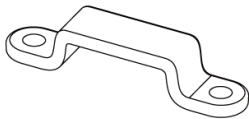
× 2



× 2

(M8, SUS304)

Wing Nuts



Lock cable buckle



× 4

2.5*8.0PAHOZN3+(+)



× 4

2.5*9.0FMHZN(+)



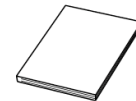
(L200*W62.5*T1.2mm)

Double-Coating Tape



(WH-85*3.0mm)

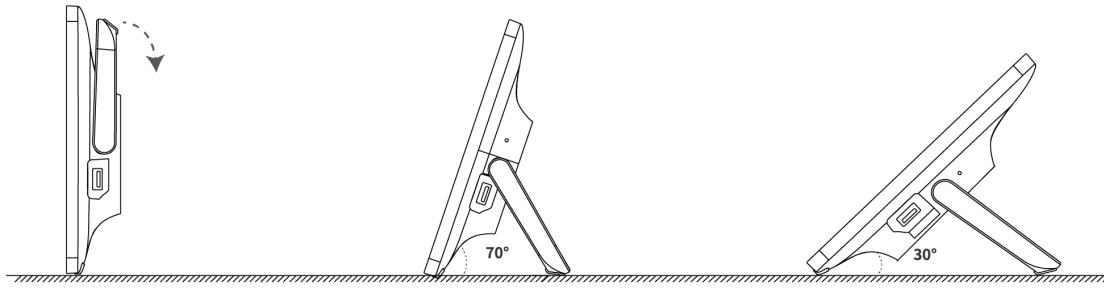
Screwdriver



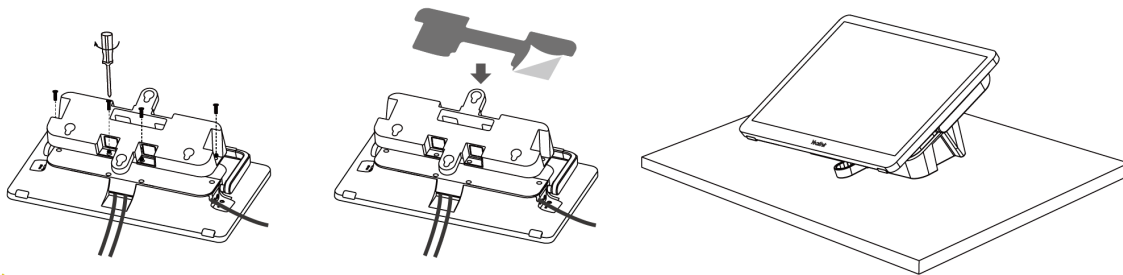
Quick Start Guide


Installation

Put on a table

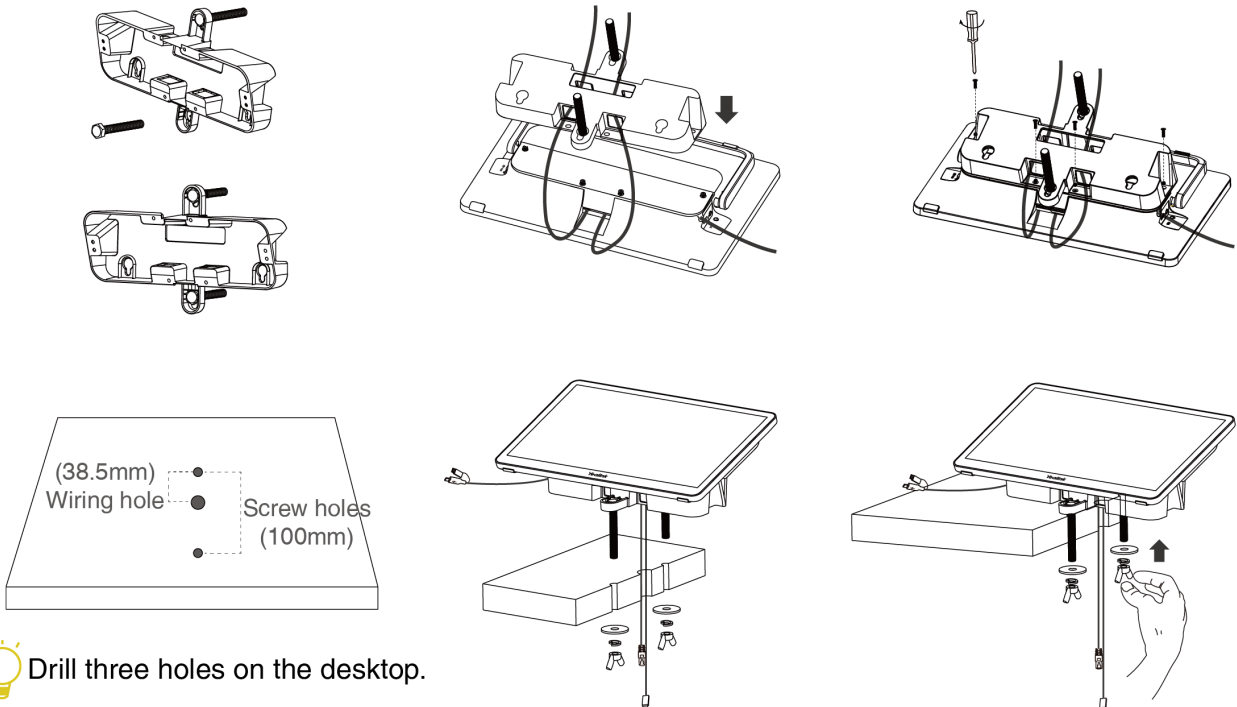



Paste on a table



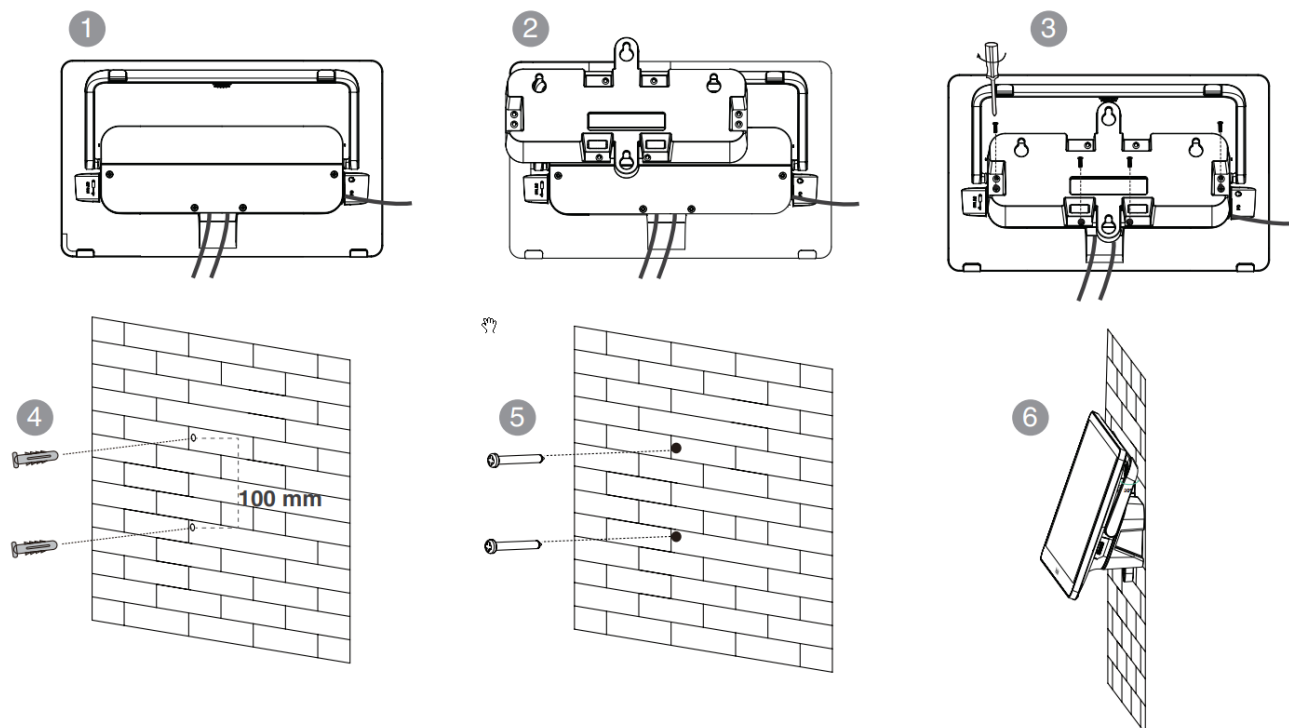
 Please select the outlet hole according to your need.

Fix on a table



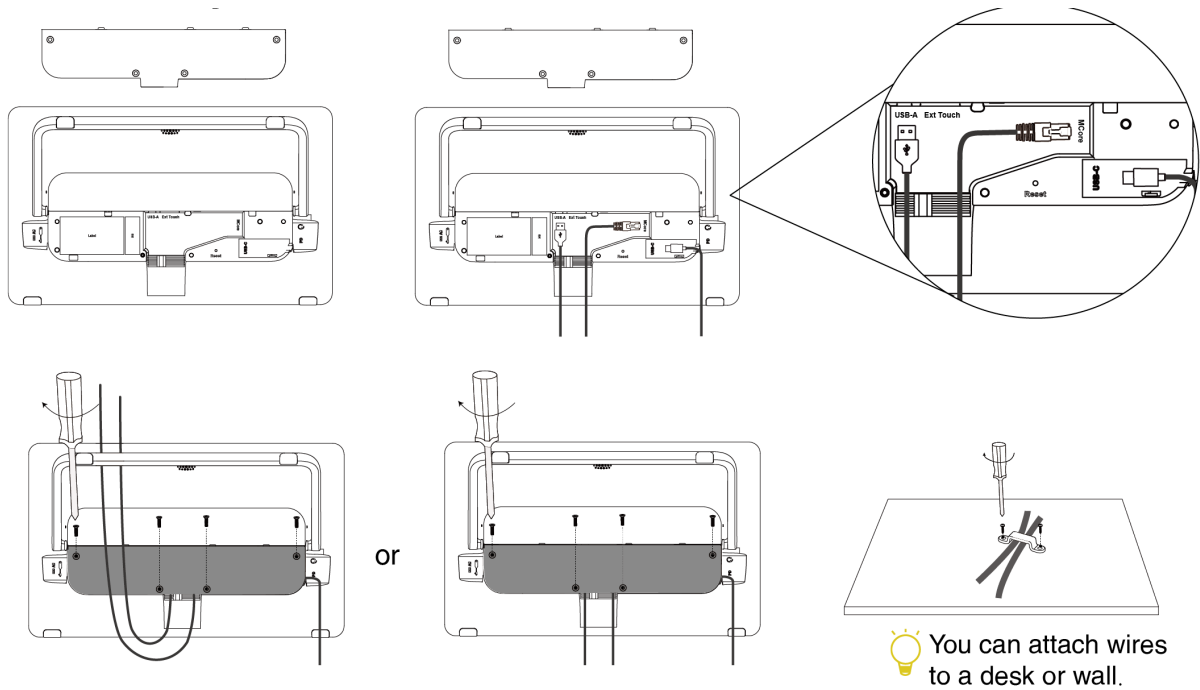
 Drill three holes on the desktop.

Wall installation

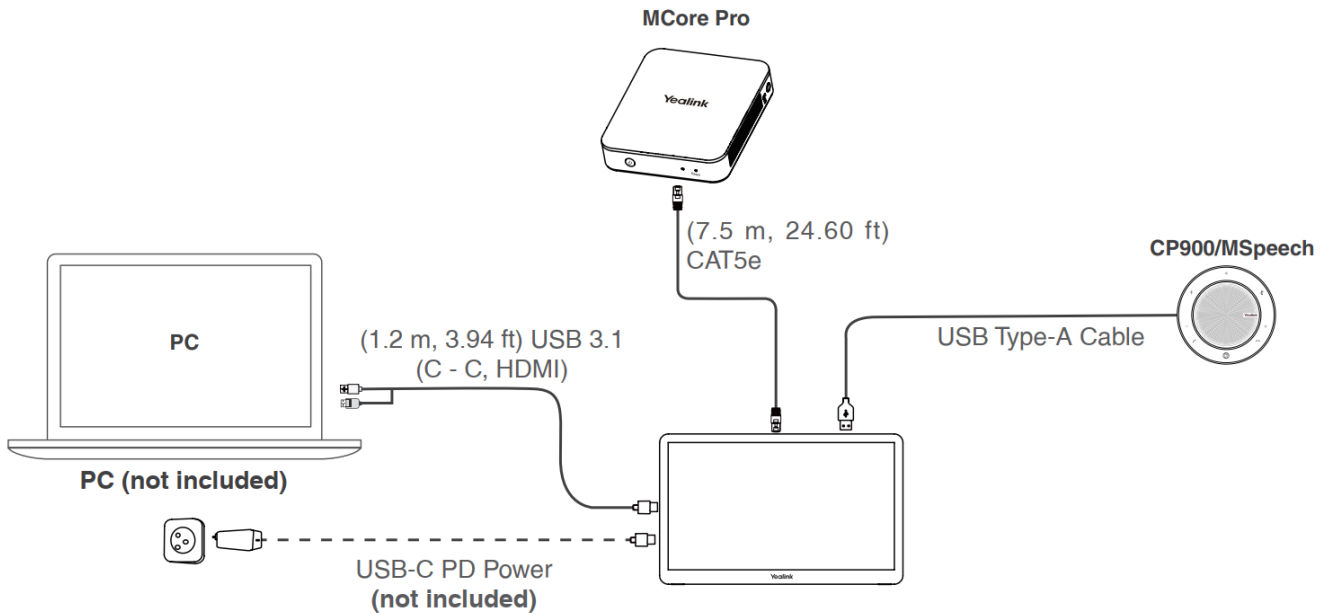
**NOTE**

- We recommend that the height of the wall installation is 1m~1.5m from the ground.
- Please select the outlet hole according to your need. If the conference room environment allows, you can also wire through the wall.

Connection**Assemble your MTouch Plus**



Connect your MTouch Plus



NOTE

- You can purchase additional PD power supply to power the PC.
- Not included accessories requirements:
 - » PC: Equipped with HDMI or USB-C (support DP protocol) Port.
 - » USB-C PD Power: A PD power adapter with a power transmission greater than 45W, equipped with a USB-C cable.