

TS-792L-AS

DELEGATE UNIT WITH LONG MICROPHONE



The TS-792L is a Delegate unit for TOA Conference system. The compact and lightweight design makes it easy to install and store. Placing the speech button in the ON position permits speech and disable the speaker to prevent feedback. If the speech button is placed in the OFF position, the microphone cannot be used but the speaker is turned on, allowing the voices from other conference units to be monitored. The TS-792L delegate unit come with a long microphone as a standard accessory.

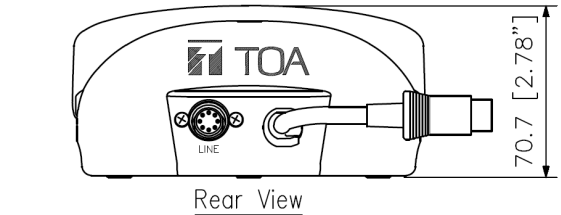
Key features

Specifications

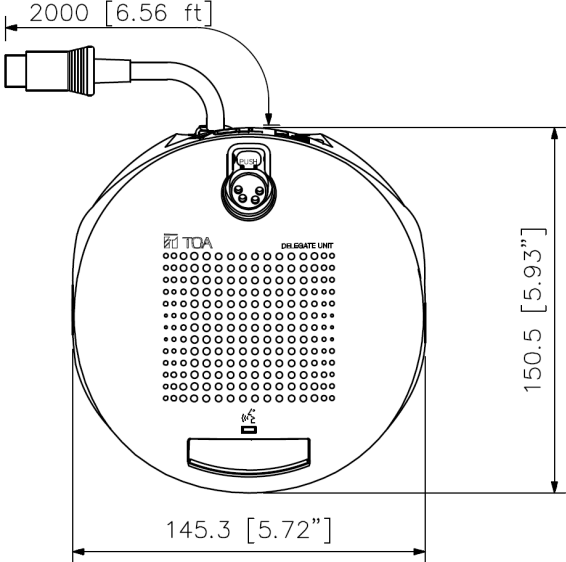
*0 dB = 1 V

Power Source	36 V DC, 30 mA or less (supplied from the Central Unit TS-7912D, TS-7912DW)
Output	36 V DC, 30 mA or less (supplied from the Central Unit TS-7912D, TS-7912DW)
Control	Speech: Microphone, speaker on-off control by speech button Volume control: Headphone/Recording and monitor speaker volume adjustable x 2
Microphone Unit (Accessory)	Electret condenser microphone Directivity: Unidirectional Impedance: 1.8 k Ω Sensitivity: -37 dB (1 kHz 0 dB = 1 V/Pa) Frequency Response: 100 Hz - 13 kHz LED indicator: Speech indicator (ring type) Blue Length: 518 mm Weight: 105 g
Operating Temperature	0 °C to +40 °C (32 °F to 104 °F)
Operating Humidity	90 %RH or less (no condensation)
Finish	Upper case: ABS resin, dark grey, paint Lower case: ABS resin, black, paint
Dimensions	145.3 (W) x 70.7 (H) x 150.5 (D) mm (5.72" x 2.78" x 5.93") (Excluding microphone unit)
Weight	800 g (1.76 lb) (Excluding microphone unit)
Included Accessories	Long microphone unit x 1
Optional Accessories	Extension cord: YR-790-3, YR-790-10

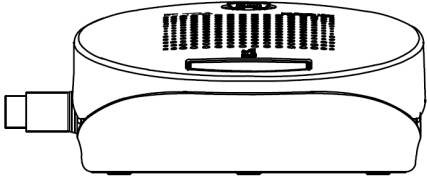
Dimensions



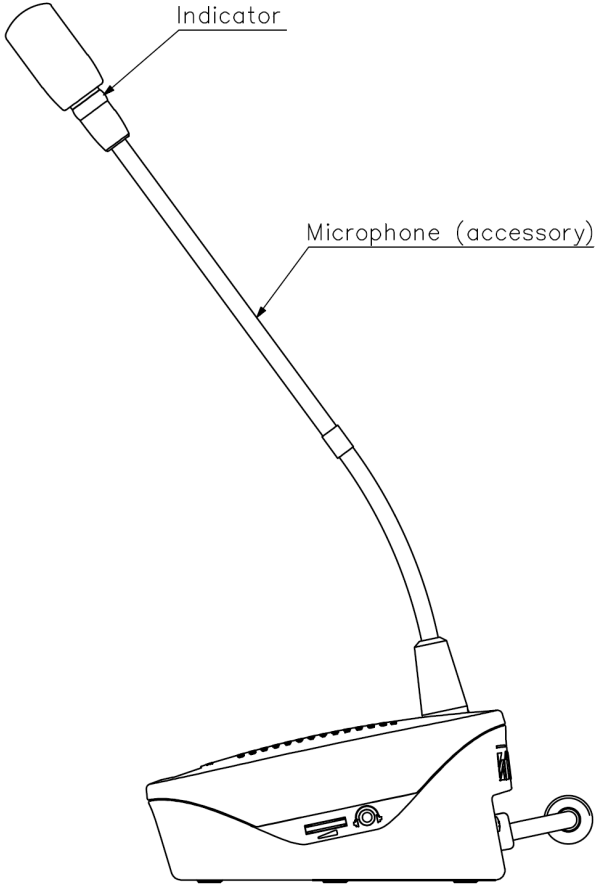
Rear View



Top View



Front View



Side View

UNIT:mm