

Neat Board

User Manual



neat.

Neat Board Collaboration System



Neat Board transforms your meeting space experience by packing powerful technology and pioneering capabilities into an elegant all-in-one design.

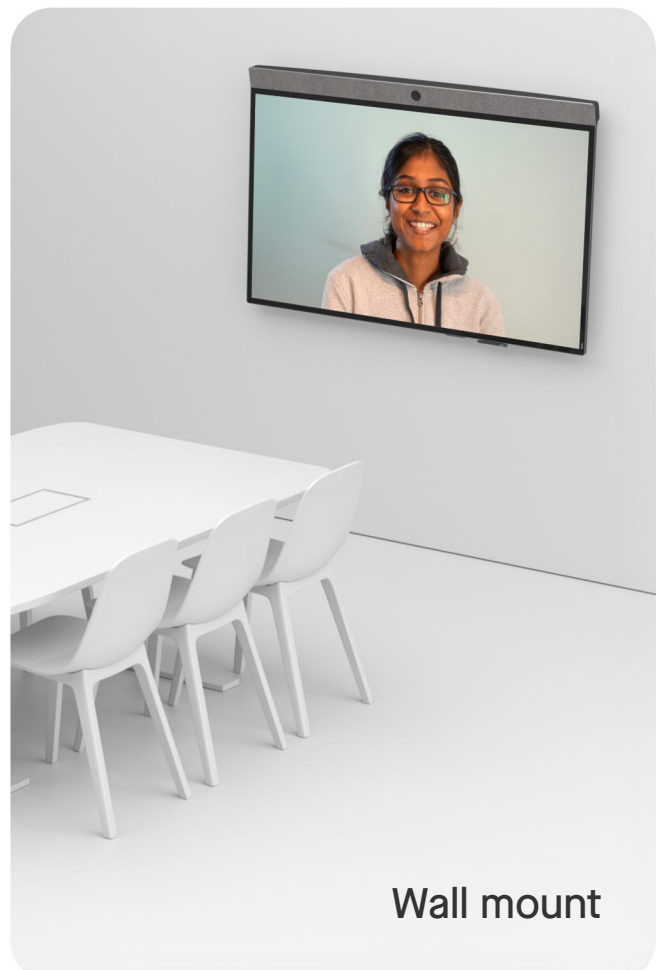
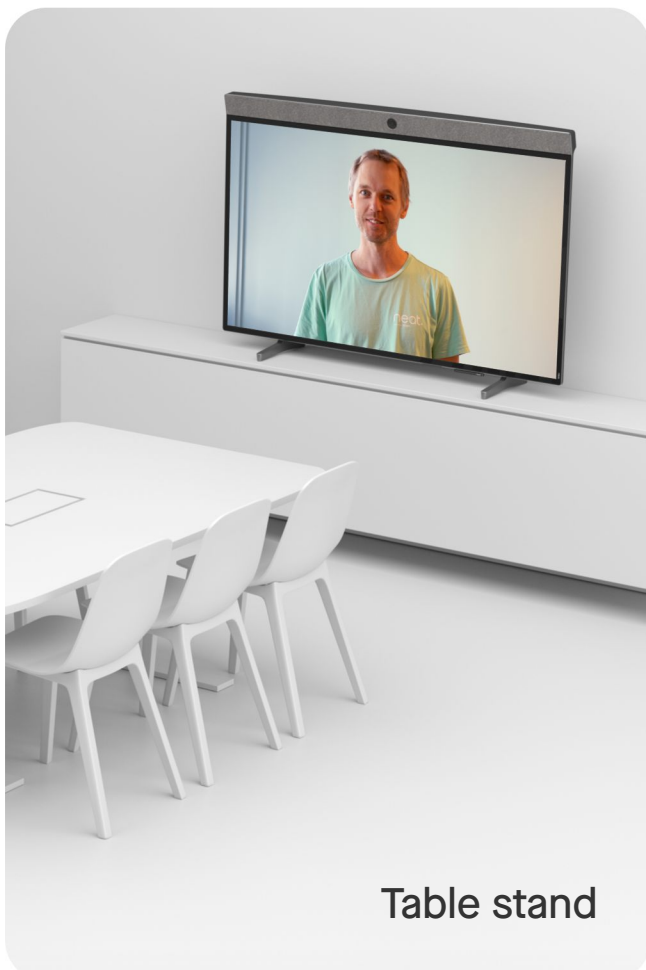
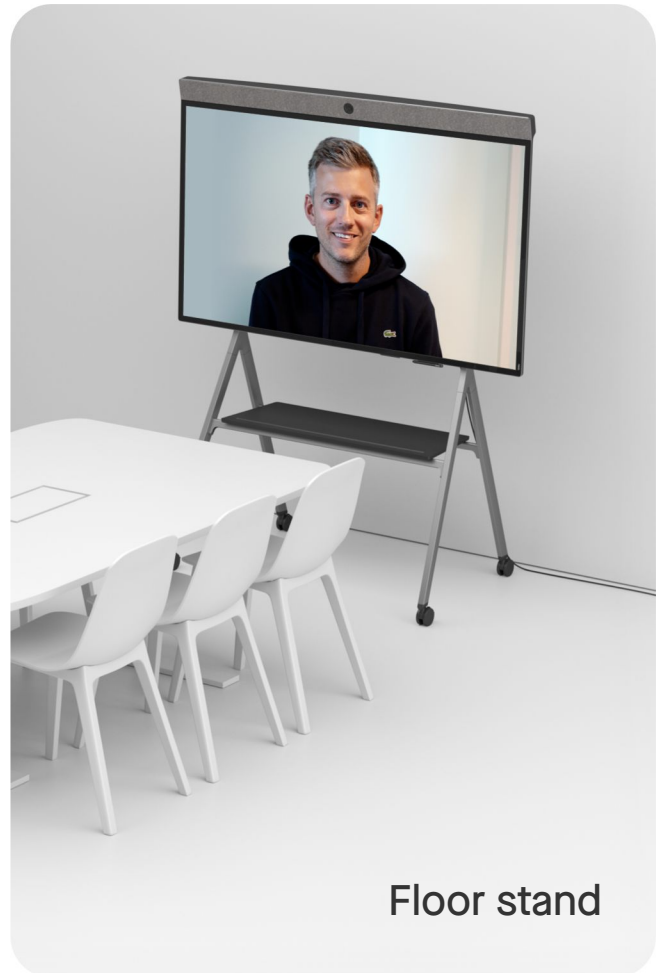
It's perfect for bringing superior-quality audio, video and collaboration tools to your huddle, focus and meeting spaces.

Neat Board includes Screen, Camera, Speakers, Microphones and environmental sensors all in one compact design.

Neat Board works standalone but can also be accompanied by optional Neat Pad Controllers and Scheduling Displays.

Simple setup

Neat Board is easy to set up, having just one cable and a choice of either a floor stand, with optional wheels, wall mount or table stand.



Everything you need

Neat Board comes with everything you need to get started, including cables and the chosen mounting option.

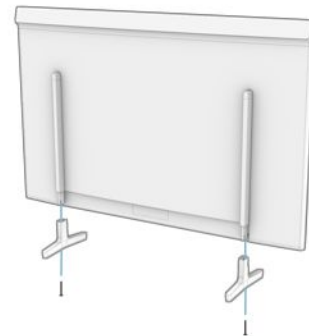
In the box

Neat Board: All-in-one collaboration system
Ethernet cable: 16.4ft (5m)
Power cord: 9.9ft (3m)
Marker holder
2x Marker
1x 2,5 mm hex wrench

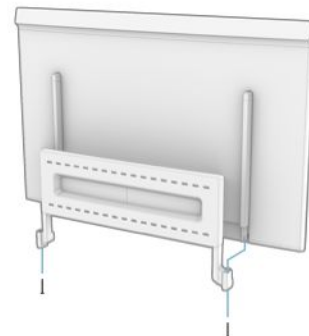
Mounting options



Neat Board Floor stand (optional)
Can be used with or without wheels
2x M6 screw, 2.5 in (65 mm)
12 x M5 screw, 0.47 in (12 mm)
4x Wheels
1x 5mm hex wrench
1x 3mm hex wrench
Power cord: 14.8ft (4.5m)



Neat Board Table stand (included)
2x M6 screw, 2.5 in (65 mm)
1x 5mm hex wrench



Neat Board Wall mount (optional)
VESA compatible
2x M6 screw, 0.8 in (20 mm)
1x 5mm hex wrench

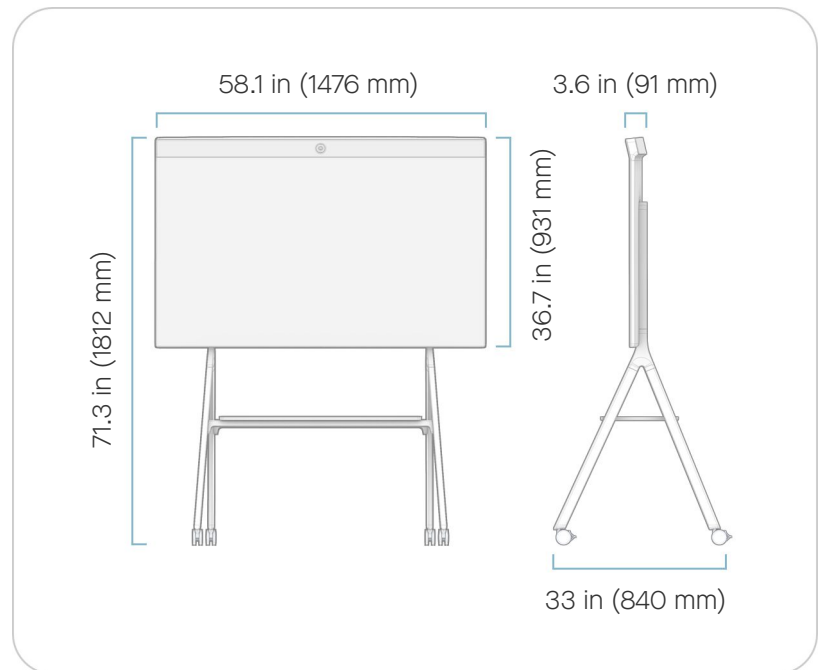


Screws for mounting to the wall are not included. Mounting on a wall should only be performed by qualified personnel in line with applicable facility and state regulations. The wall and the mounting equipment must safely withstand the load of the product.

Size & weight

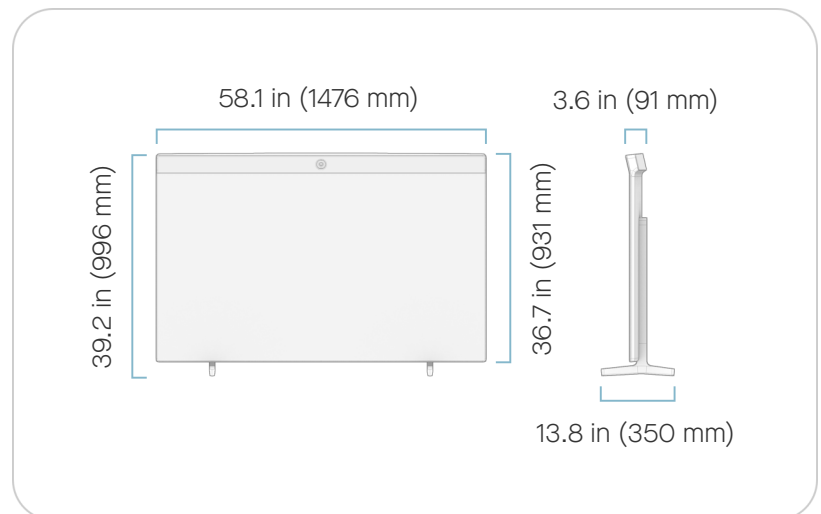
Neat Board with Floor stand

Weight: 124.6 pounds
(56,5 kg)



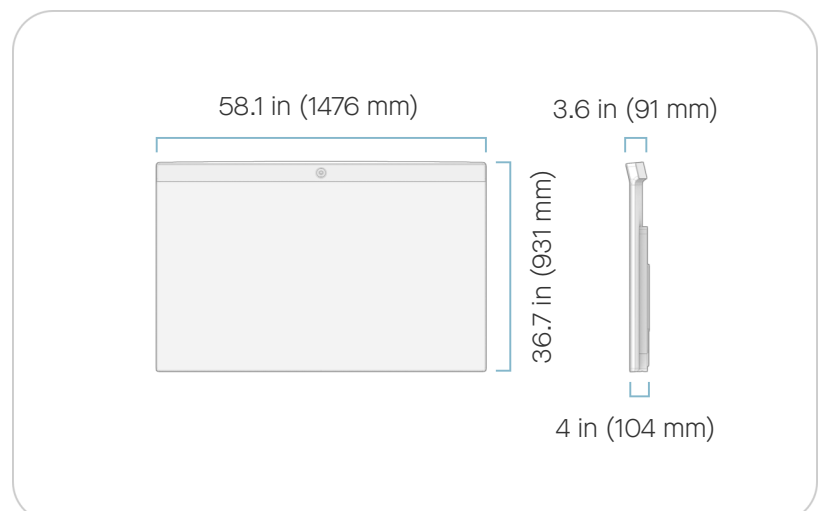
Neat Board with Table stand

Weight: 102.6 pounds
(46,5 kg)



Neat Board with Wall mount

Weight: 111.6 pounds
(50,6 kg)



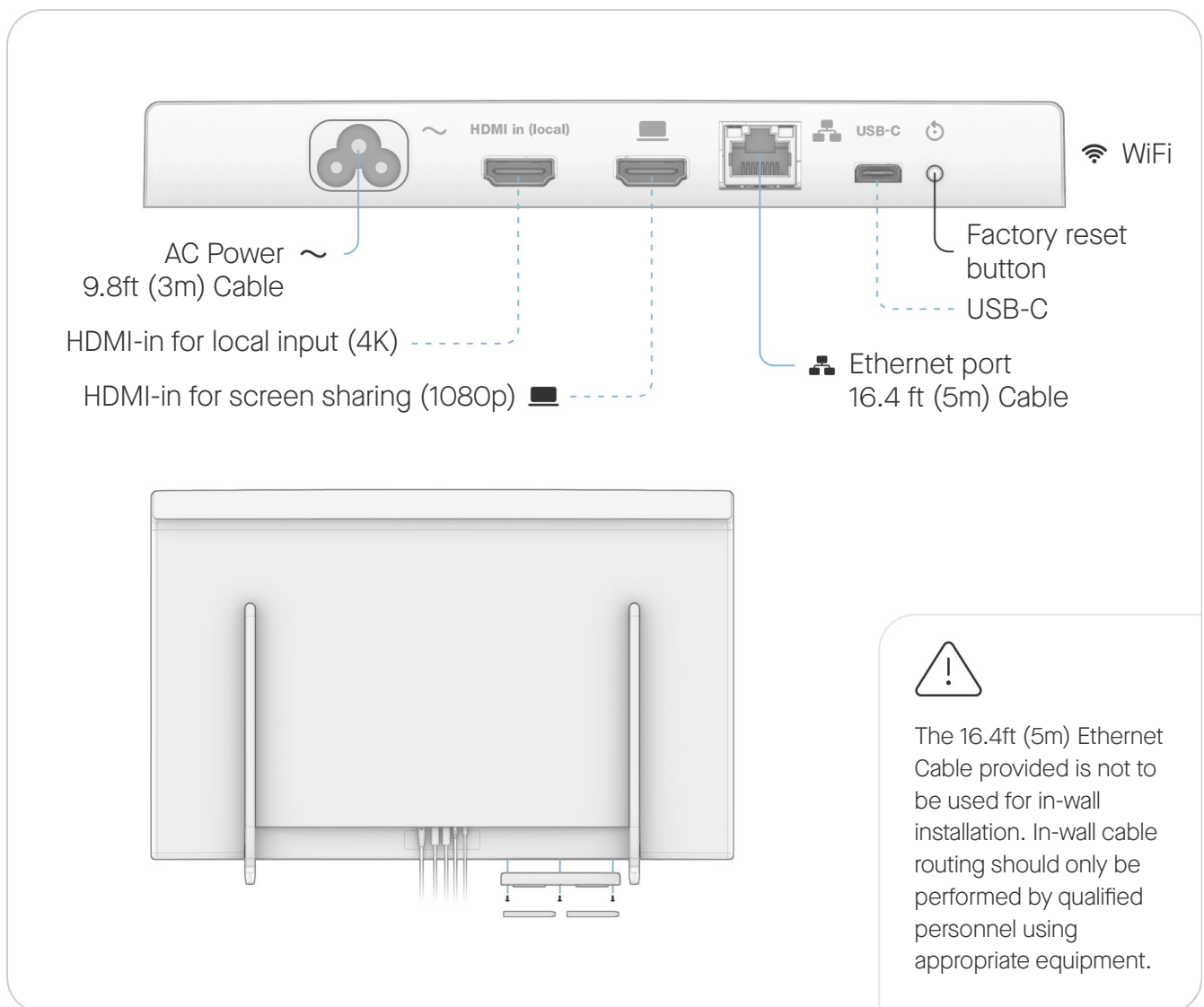
Setup & connectivity

Setup

Use the provided cables to set up the system. Connect the cables according to the illustration. Cables marked — are included. Cables marked - - - - are optional and not required for basic use of the system.

Requirements for a complete setup

Internet connection
Video service



Environmental Requirements

Ambient operating temperature:
32° to 95° F (0° - 35° C)
Storage temperature: -4° - 140° F (-20° - 60° C)
Relative humidity: 10% to 90%

Additional Product Information

<https://neat.no/board>