

# **D2X Quick Start Guide**

Version: 1.1

2018-12-14

## Content

1、 Packaging .....	1
2、 Installation.....	3
3、 Power up .....	10
4、 Connetion.....	10
5、 Quick configuration .....	19

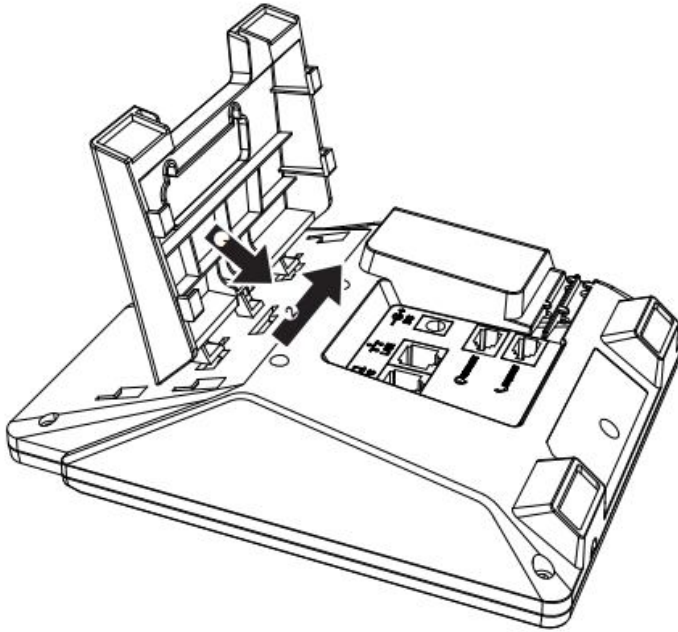
## 1. Packing

In the packaging box, we can see one IP phone, one handset, one bracket, one network cable, one handset cable and one 5V,1A power adapter.

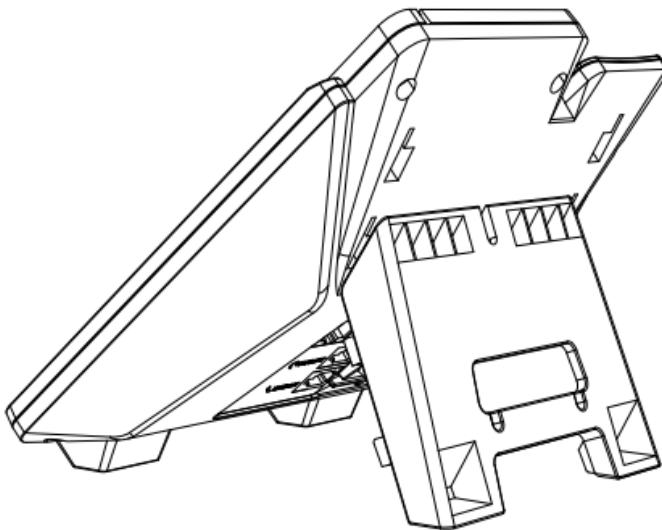
## 2. Installation

### 2.1 Stand bracket installation instruction

- A. Bottom up the IP phone, press the joints of stand bracket into the slots and push it to the right to fasten:

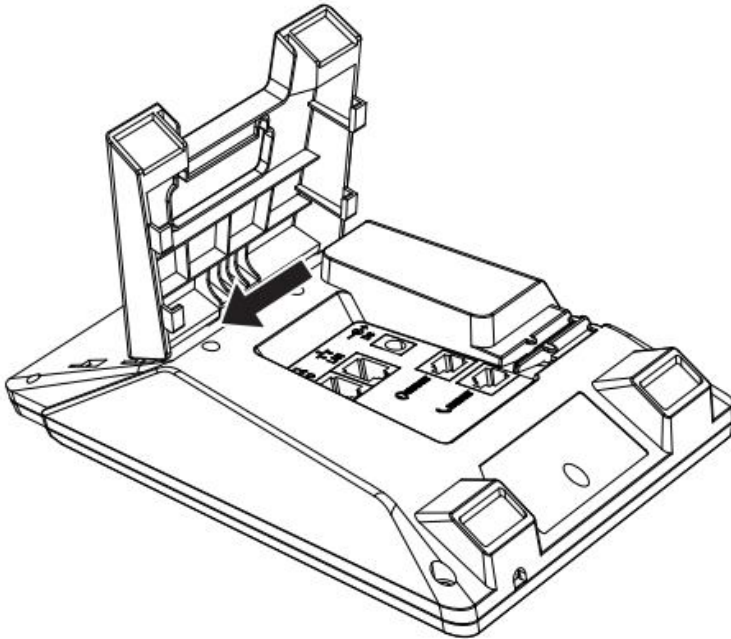


- B. After installation, the picture is as below:



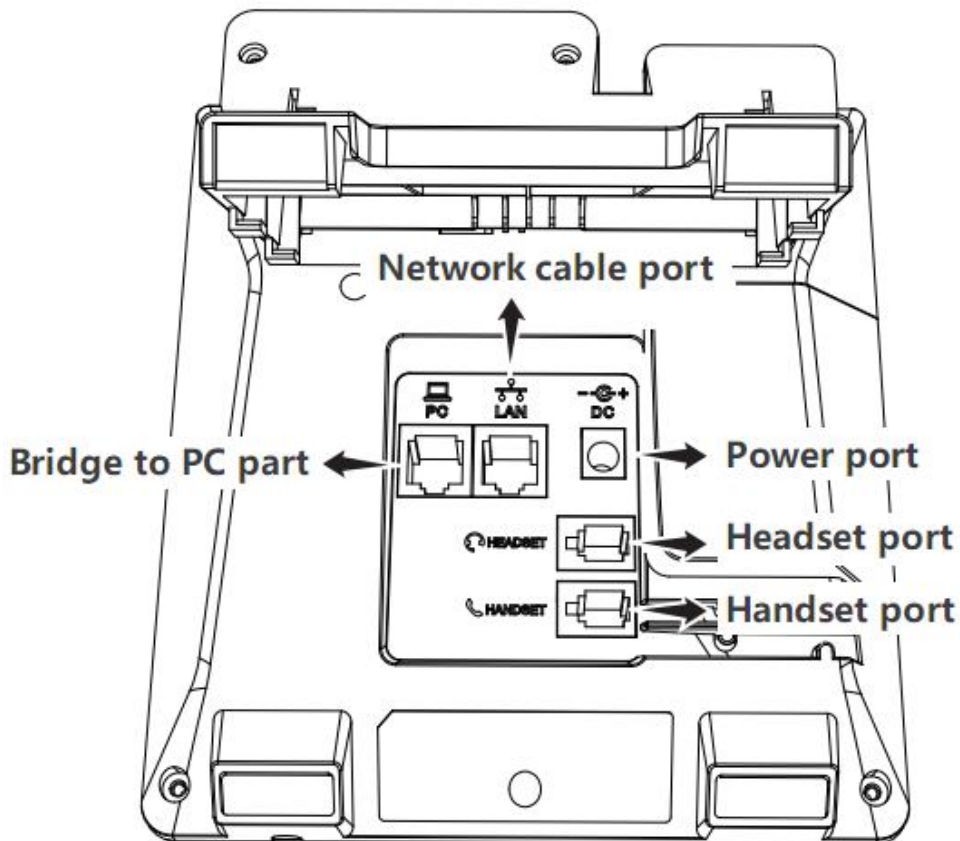
C. Remove the stand bracket:

Push the joint of stand to left and pull the stand according to the direction of the arrow. When the joints are pulled out of the slot, you can take off the stand bracket



## 2.2 Connecting port introduction

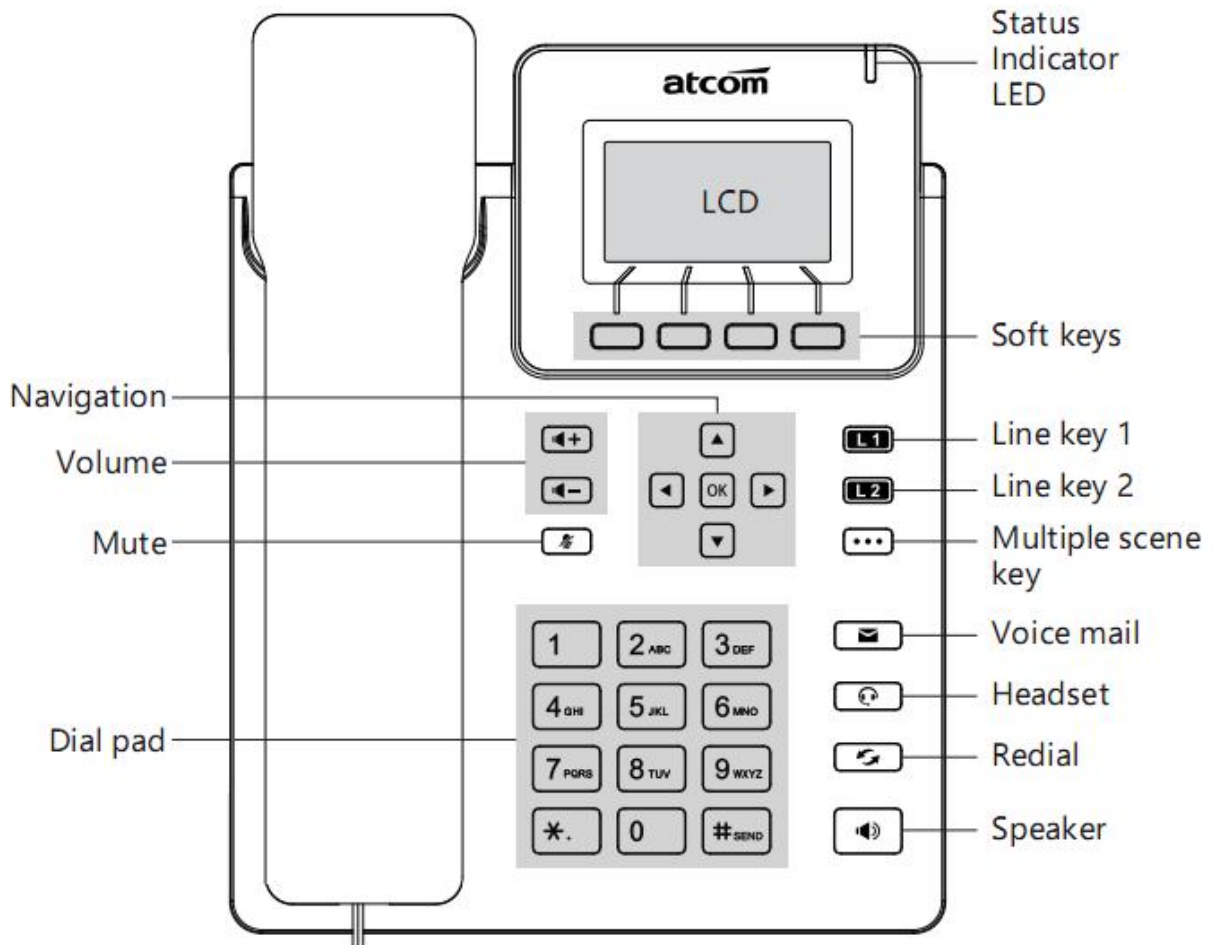
From as below picture show the connecting port:



## 2.3 Keypad introduction

Please check the following picture:

You can refer the Guide document to check the keypad introduction in the LCD menu.



## 3. Power up

3.1 Connect to DC 5V/1000mA power adapter or PoE power.

3.2 The status indicator will be on during power-on, and the Welcome dialog will appear on the LCD.

3.3 After boot up finished, User can select the Language and time zone manually.

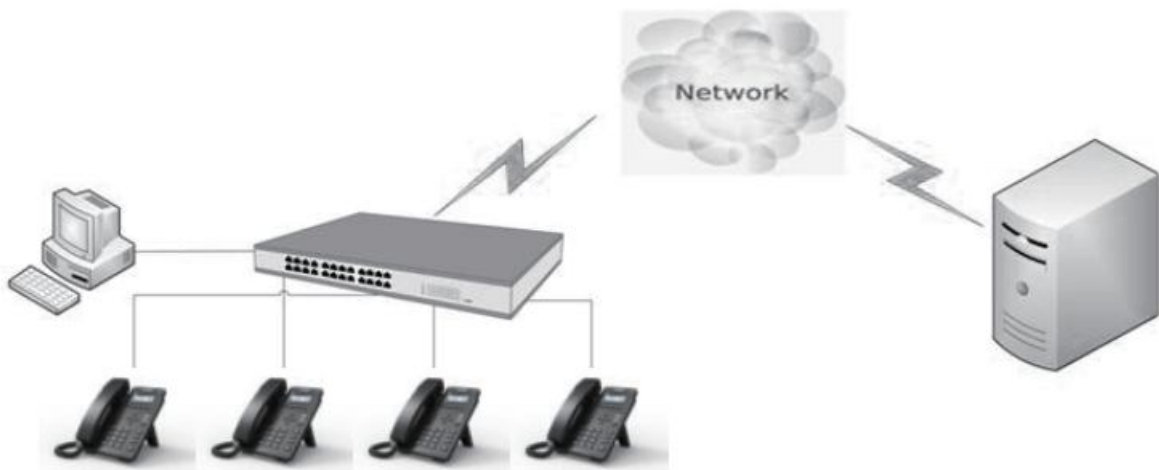


## 4. Connection


### 4.1 Connect to network cable:

D2X if connected to network via LAN port, then under the Bridge mode, other devices (Laptop, IP phone) are able to access network via the phone PC port.

The topology is as follows:



### 4.2 Check the phone status

You can review its current IP address by pressing  key when it is powered on and connected to the network.

Then press  $\downarrow$  key, it could see MAC , Model, Firmware and More.

## 5. Quick Configuration

## 5.1 Configure ways

D2X can configure the phone network and account in three ways:

Enter to the phone LCD Menu configuration, access to the phone webpage and auto provision.

## 5.2 Phone LCD Menu configuration

### 5.2.1 Configure the network feature

Press **Menu**→**Settings**→**Advanced settings** (default password: admin)→**Network**→**LAN port**→Press ↓ key, enter to **IPv4 settings**, the default is **DHCP**. You can also press **Switch** key, change to **Static IP**→Press ↓ key, input the **IPv4 address**, **Subnet mask** and **Default gateway**, then press **Save** key. The Static IP address configure successful.

### 5.2.2 Configure the account feature

Press **Menu**→**Settings**→**Advanced settings** (default password: admin)→**Accounts**, input the account info.

## 5.3 Access to the phone webpage

### 5.3.1 Access to the webpage

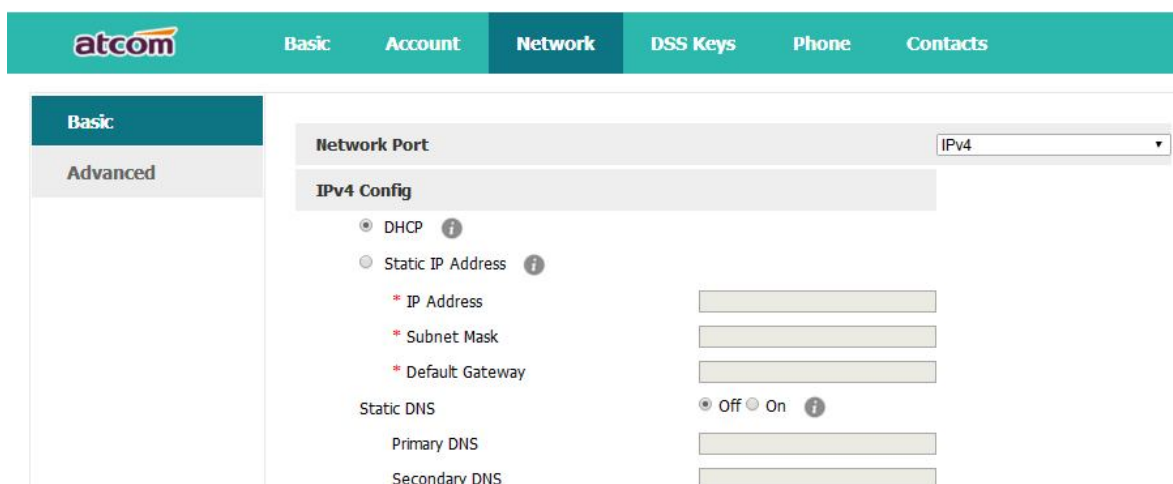
While input the phone IP address at a browser, you will be required to input the username and password to access the webpage.

The username/password as below:

Username	Password	Description
admin	admin	For Administrators
user	user	For General Users

### 5.3.2 Configure the network feature

Press the web "**Network**"→"**Basic**", Please check as below photo, You can configure the DHCP or Static IP address.

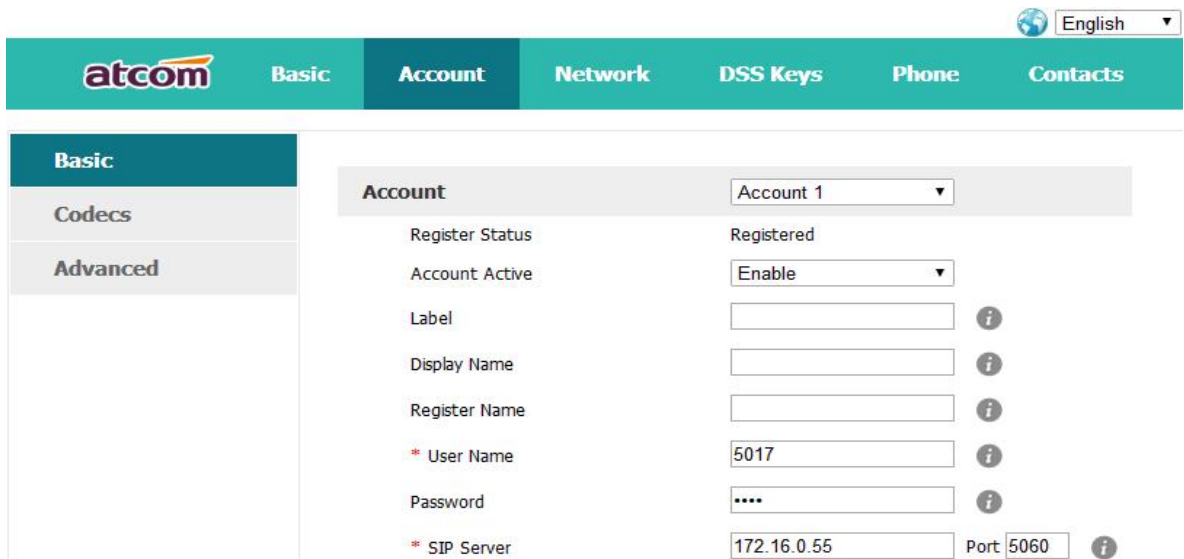


The screenshot shows the atcom web interface with the following configuration options:

- Network Port:** IPv4
- IPv4 Config:**
  - DHCP
  - Static IP Address
  - \* IP Address:
  - \* Subnet Mask:
  - \* Default Gateway:
- Static DNS:**
  - Off  On
  - Primary DNS:
  - Secondary DNS:

### 5.3.3 Configure the account feature

Press web **"Account"**→**"Basic"** and configure the account info.



Account	
Account	Account 1
Register Status	Registered
Account Active	Enable
Label	<input type="text"/>
Display Name	<input type="text"/>
Register Name	<input type="text"/>
* User Name	5017
Password	****
* SIP Server	172.16.0.55 Port 5060

### 5.4 Auto provision

You can use auto provision configure file input the phone network info and account info, after provision successful, the network feature and account also configure successful. Please refer to the screenshot as below:

The more information you can check our auto provision file.

```
#####
##                                NETWORK                                ##
#####
##It configures the network type is 0(IPV4), 1(IPV6) ,2(IPV4IPV6)
##It configure the WAN port type is 0(DHCP),1(Static IP)

network.internet_network.type = 0
network.internet_port.type = 1
network.internet_port.ip = 172.16.0.15
network.internet_port.mask = 255.255.0.0
network.internet_port.gateway = 172.16.0.1
network.static_dns_enable =
network.primary_dns=
network.secondary dns =
```



```
#####  
##                               Account1 Basic Settings                               ##  
#####  
#It configure the account enable type is yes-Enable or no-Disabled, or 1-Enable or 0-Di.  
#The default value is yes or 1  
account.1.enable =  
account.1.label =  
account.1.display_name = 5001  
account.1.auth_name = 5001  
account.1.user_name = 5001  
account.1.password = 5001  
account.1.outbound_proxy_enable =  
account.1.outbound_host =  
account.1.outbound_port =  
account.1.record_user_name =  
account.1.call_id_display =  
account.1.callback_oncode =
```