

BS-PE678IP1



The BS-PE678IP1 is an IP PoE wall mount speaker and can receive the broadcast from other terminals or servers supporting the setting of functions through browser. It can detect circuit faults and operating state of the speaker and display them on the server software.

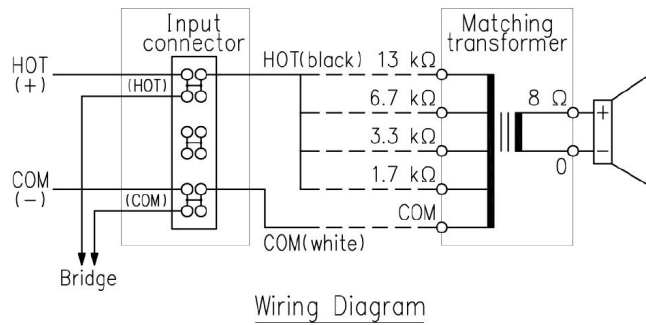
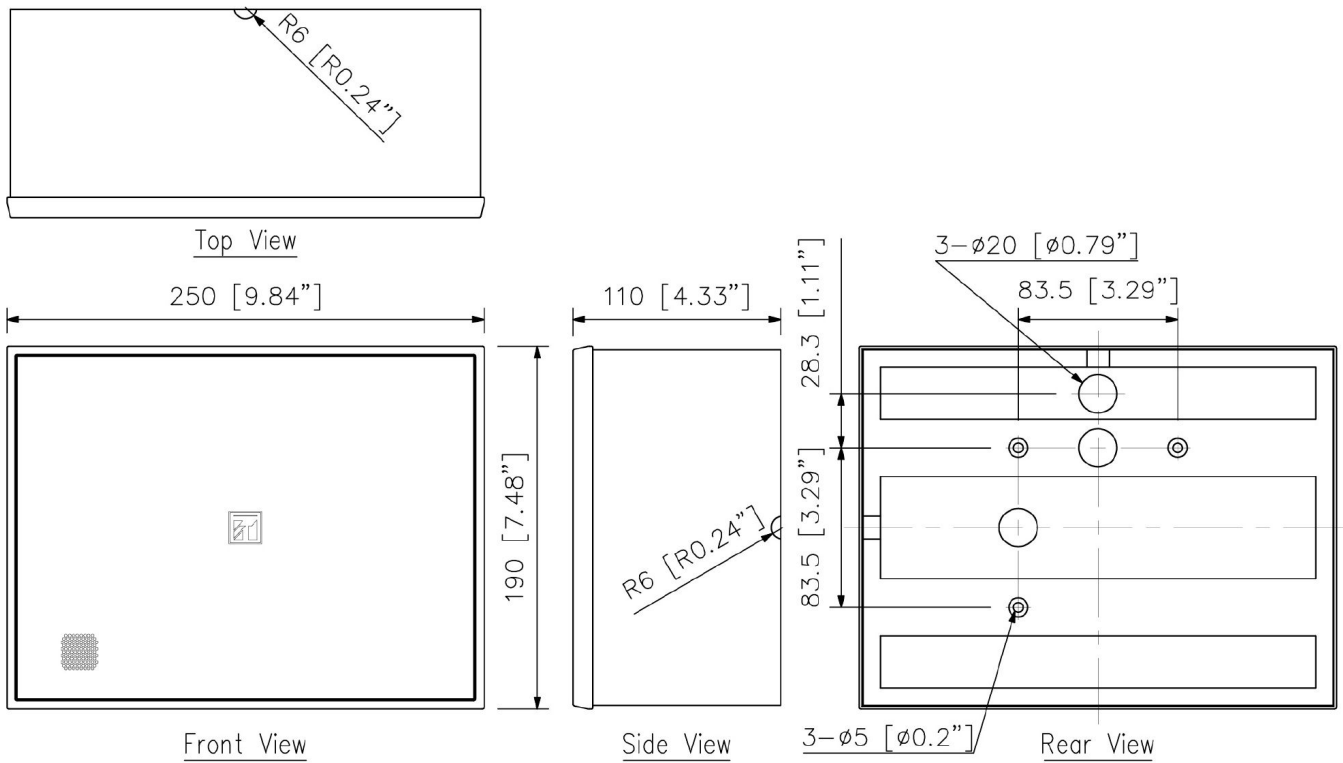
Key features

- Quick installation with power over Ethernet
- Flexible system expansion where network connection is available
- Different product options satisfying indoor & outdoor application

Specifications

Power Source	DC 24V / 1A or PoE (IEEE 802.3at)
Power Consumption	Less than 5W (Static Power)
Amplifier Rated Output	2*7W (Maximum Consumption Current 24V/0.65A under DC Condition) 2*7W (Maximum Consumption Current 16V/1.35A under PoE Condition)
Sensitivity	94dB (1m/1W)
Frequency Response	100 - 18,000 Hz
Network I/F	10 BASE-T/100BASE-TX, Auto negotiation
Network Protocol	UDP, ARP, ICMP, HTTP, IGMP
Operating Temperature	-20°C to +50°C
Finish	Baffle: HIPS resin, off-white Cabinet: Particle board, off-white Grille: Surface-treated steel plate, off-white
Dimensions	250(W) x 190(H) x 110(D) mm
Weight	1.56kg
Included Accessories	Speaker mounting screw M4*35 x2, 4P terminal block x1

Dimensions



UNIT:mm SCALE:1/4