

BS-P1030B-AS

POWERED BOX SPEAKER



The BS-P1030B is a 2-way bass-reflex type speaker with a built-in 30W digital power amplifier, suitable for use for announcements and music playback. The speaker's splash-proof construction permits it to be installed under the eaves where the speaker is not directly exposed to rain.

Key features

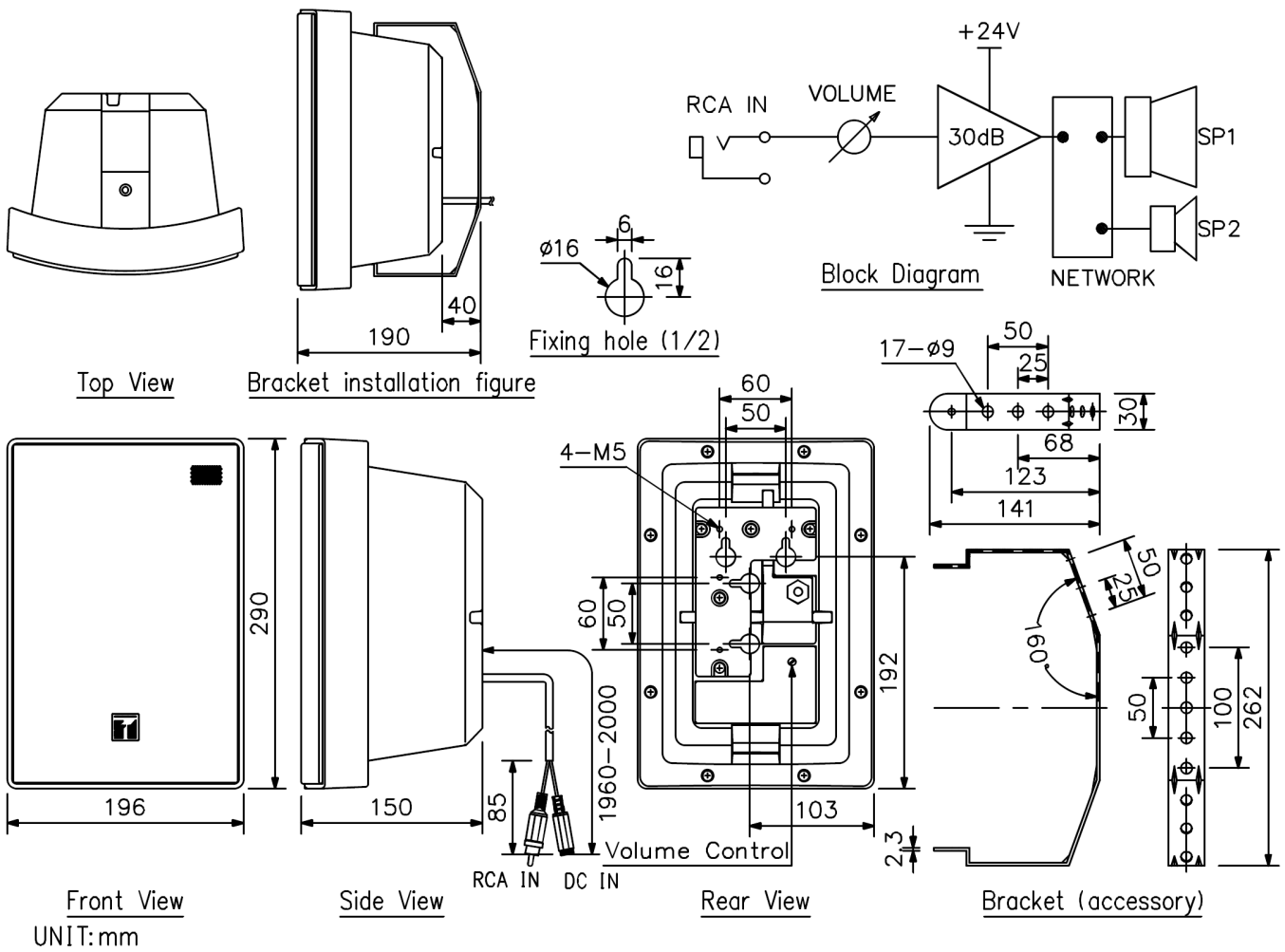
Specifications

Enclosure	2-way bass-reflex type
Power Source	24 V DC, 1.5 A (DC Socket "+" Type A: 5.5 x 2.1mm)
Power Consumption	24 W (1A) at rated output
Input	5 k Ω , unbalanced (RCA plug) Maximum input: +6 dB V (2 Vrms)
Signal Gain	+30 dB
Volume Adjustment	Volume Control (Factory pre-set to middle position)
Sound Pressure Level	90 dB (1 W, 1 m)
Frequency Response	80 Hz - 20 kHz
Speaker Component	12 cm cone-type + dome-type
Speaker Cable	Length: 2m Flying Lead (RCA plug) & DC socket ("+")
Dust/Water Protection	IPX4 (can be installed vertically or horizontally.*)
Operating Temperature	-10 # to +50 #
Finish	Enclosure: ABS resin, black (RAL9011 GRAPHITE BLACK), paint Net: Surface treated steel plate, black (RAL9011 GRAPHITE BLACK), powder coating Bracket: Surface treated steel plate, black equivalent to RAL9011 GRAPHITE BLACK, powder coating
Dimensions	196 (W) x 290 (H) x 150 (D) mm (unit only)
Weight	2.5 kg (unit only)
Included Accessories	Bracket x 1, Bracket mounting screw x 2, Bracket mounting washer x 2
Optional Accessories	Applicable bracket: SP-410 Applicable stand: ST-16A

**Install with the front facing downward. Note that the splash-proof capability will be lost if installed face-up.

The logo mark needs to be located in the lower section when the speaker is installed vertically, and on the right side of the speaker (as viewed from the front) when installed horizontally.

Dimensions



A&E specifications

The powered box speaker is a 2-way 12cm bass reflex speaker + dome tweeter build-in with a 20W digital power amplifier. It is suitable for voice paging and music playback for indoor sound system applications. The speaker splash proof construction permits it to be also installed under the eaves where the speaker is not directly exposed to rain. There is a variable volume control located on the rear and factory preset volume at middle position. The rated power input shall be DC 24V at 1.5A. The speaker unit shall include a 2 meter cable equipped with a RCA plug and a DC socket. The unit enclosure shall be ABS resin, net is surface treated steel plate graphite black RAL9011 and power coating bracket is steel plate black. The box unit shall have a frequency response of 80 – 20,000Hz with Sound Pressure level 1 watt 1 meter at 90dB. The speaker shall have IEC weather resistance rating of IP-x4 standards with a wide operating temperature range from -10° C to +50° C. The box unit shall be 196mm (W) x 290 (H) x 150mm (D) and weight approx., 2.5Kg. The powered box speaker shall be TOA model BS-P-1030B-AS. Option Power Adapter AD-5000-2