

■ SPECIFICATIONS

|                           |  |
|---------------------------|--|
| Product Composition       | Handheld wireless microphone ...1, Receiver ...1 |
| Frequency Range           | 694 - 806MHz(*1), UHF                            |
| Channel Selectable        | 4 Channels                                       |
| Tunable Frequencies       | 25kHz Steps                                      |
| Tone Frequency            | 32.768kHz  |
| Total Harmonic Distortion | <1% @ 1kHz                                       |
| Function                  | IR sync, Channel scan, Battery indicator         |
| Accessory                 | Microphone holder ...1                           |

Wireless microphone

|                          |                                    |
|--------------------------|------------------------------------|
| Microphone Element       | Dynamic with cardioid pattern      |
| RF Carrier Power         | 10mW                               |
| Audio Frequency Response | 80 - 15000 Hz                      |
| Maximum Input Level      | 140dB SPL (maximum)                |
| Oscillator               | PLL synthesizer                    |
| Battery                  | 1 AA size alkaline battery, 1.5 V  |
| Battery Life             | Approx. 10 hours                   |
| Indication               | Battery status LED, 7 segments LED |
| Finish                   | Resin, coating                     |
| Dimensions               | approx. 250 x 50 mm                |
| Weight                   | approx. 245 g (with battery)       |

Wireless receiver

|                              |  |
|------------------------------|--|
| Power Source                 | AC mains (supplied AC-DC adapter must be used)                           |
| Sensitivity                  | 10uV at 45dBA S/N  |
| Squelch System               | Tone SQ, Carrier SQ, Noise SQ  |
| Audio Frequency Response     | 50 - 15000Hz   |
| Audio Output Level (Maximum) | Balanced (XLR socket) : -20dBu<br>Un-balanced (1/4" jack socket) : 10dBu |
| Power Consumption            | 11-18 VDC 300mA  |
| Dimensions                   | 215(W) x 39(H) x 102(D) mm (excluding antenna and BNC)                   |
| Weight                       | 480g   |

(\*1)

| Band | Frequency          |
|------|--------------------|
| A    | 694 - 703 MHz, UHF |
| B    | 748 - 758 MHz, UHF |
| C    | 803 - 806 MHz, UHF |

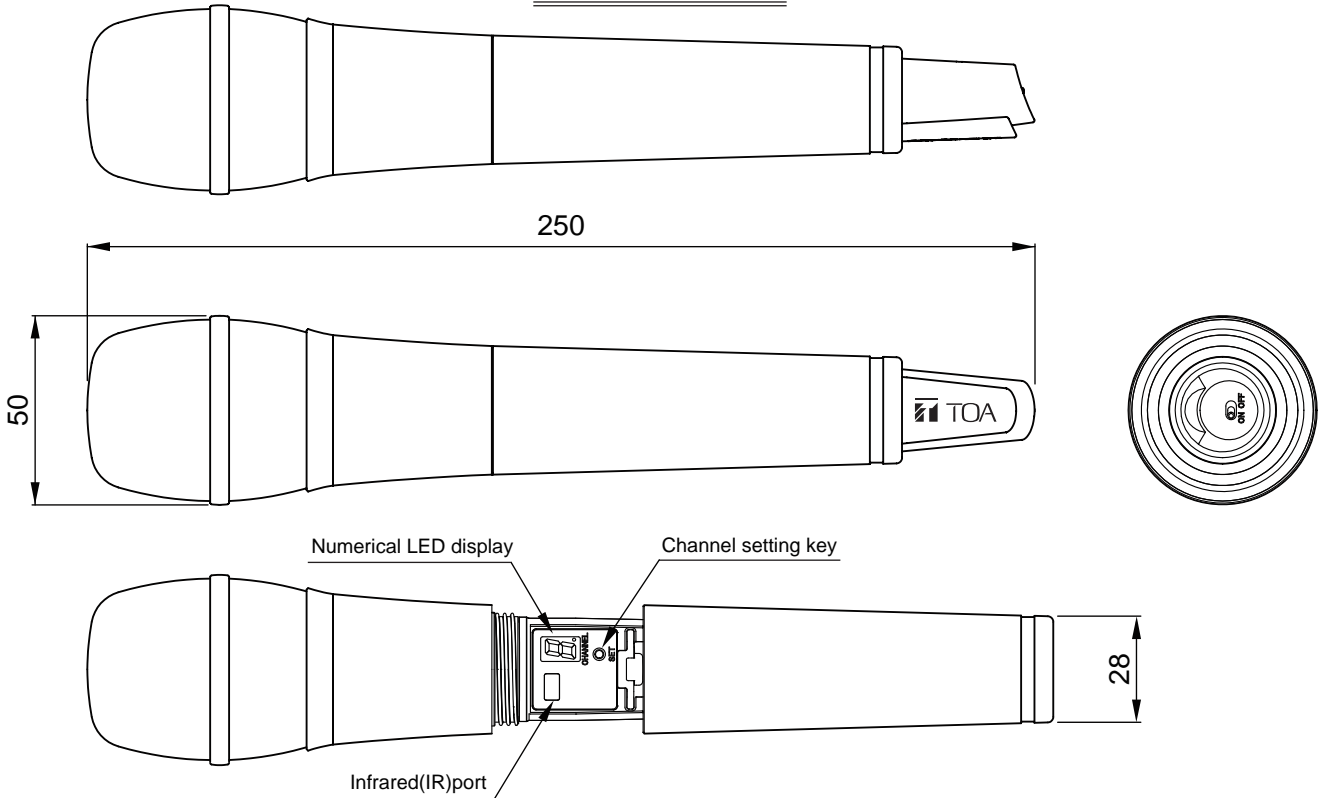


# Single Wireless set

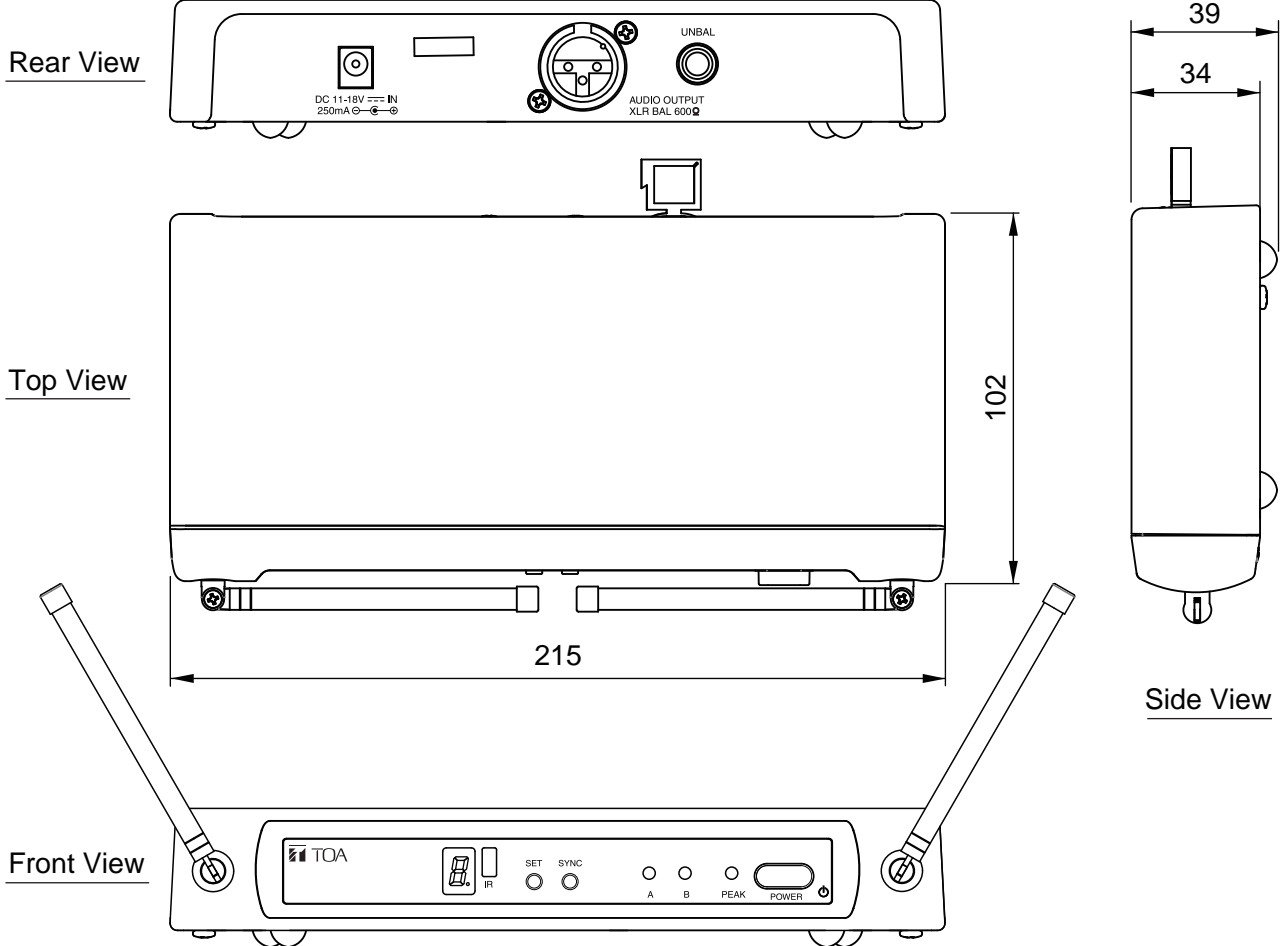
|           |        |
|-----------|--------|
| WS-420-AS | WA1D00 |
| WS-420-AS | EB7D00 |
| WS-420-AS | ECBD00 |

## ■ APPEARANCE

### Wireless Microphone



### Wireless Receiver



UNIT: mm