

PUBLIC ADDRESS / SPEAKERS / EXPONENTIALS

FE-1250T

100 V LINE TRANSFORMER HORN SPEAKER.



- ✓ Suitable for indoor and outdoor PA installations
- ✓ It allows you to cover large areas and distances
- ✓ IP-66 protection
- ✓ Includes stainless steel mount

ESPECIALLY RECOMMENDED IN:



Factories



Sports facilities



Education



All sectors



+ Info:

<https://fonestar.com/FE-1250T>

DESCRIPTION

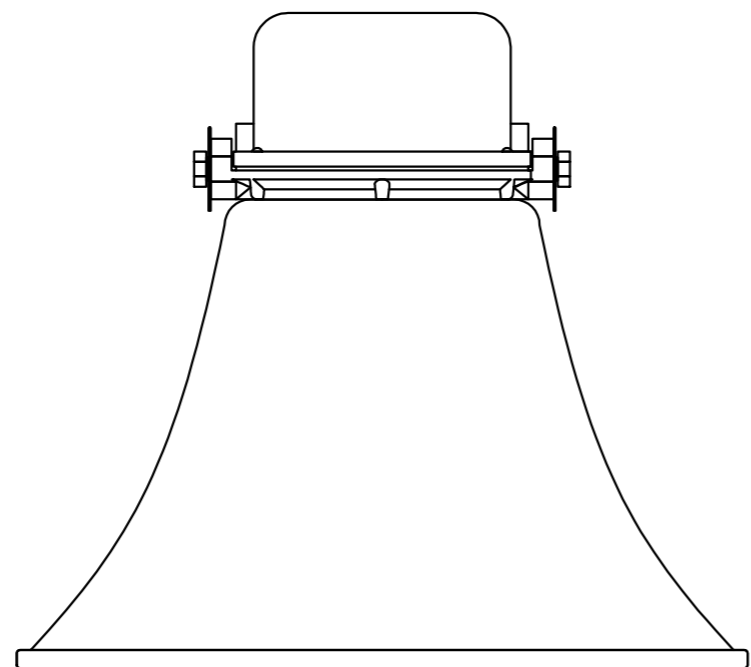
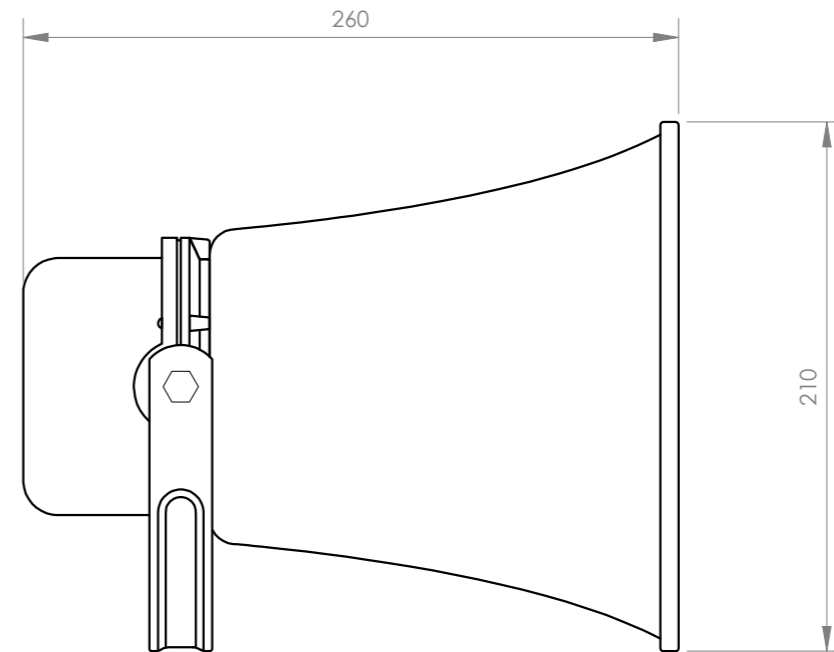
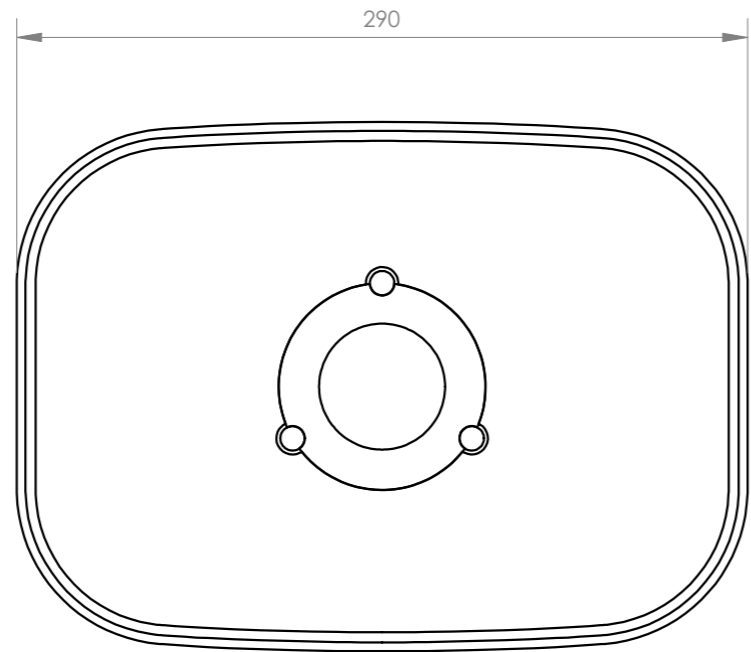
High impedance horn loudspeaker Constructed of ABS, aluminium and with stainless steel screws and bracket. Water protection (IP-66) Suitable for indoor and outdoor PA installations. Excellent frequency response, perfect for public address applications. With an angle of coverage and sensitivity which allow the reach of great distances and coverage of large areas. Various powers are available on the dial to choose the best volume for each application. Mount for easy installation, minimizing assembly time. For public address systems in 100 V line installations in large spaces, sports facilities, industrial buildings, shopping centres, schools, hospitals, etc.

TECHNICAL CHARACTERISTICS

FEATURES	Horn speaker with 100 V line transformer.
POWER	30 W RMS
RESPONSE	250-12,500 Hz
IMPEDANCE	30 W RMS@100 V (330 Ohm) 15 W RMS@100 V (670 Ohm) 10 W RMS@100 V (1.000 Ohm) 5 W RMS@100 V (2.000 Ohm) 3 W RMS@100 V (3.300 Ohm) 1 W RMS@100 V (10.000 Ohm)
SENSITIVITY	107 dB at 1 W/1 m
DISPERSION	140° H x 90° V
SWITCHES	W selector in high Z
PROTECTION	IP-66
MATERIAL	ABS Stainless steel screws and mount
COLOUR	Ivory
DIMENSIONS	29 x 21 x 26 cm depth
WEIGHT	1.65 kg



+ Info:
<https://fonestar.com/FE-1250T>



FONESTAR	Model	Description	Units	Scale
	FE-1250T	100 V LINE TRANSFORMER EXPONENTIAL SPEAKER	mm	1:3