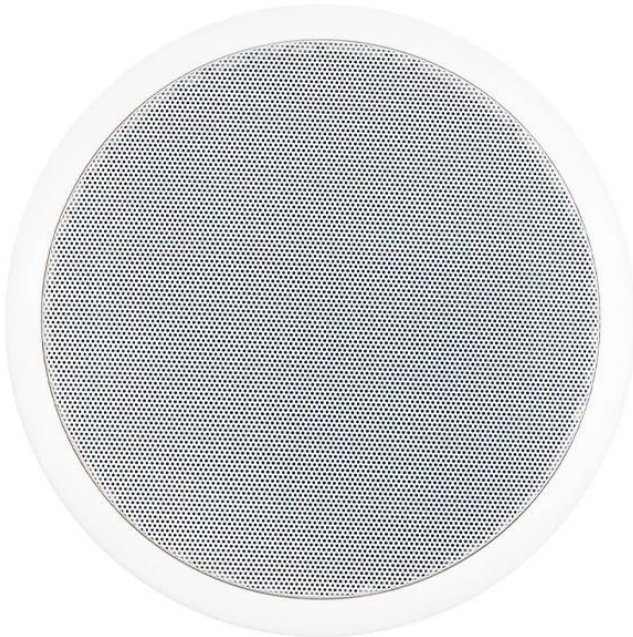


PUBLIC ADDRESS / SPEAKERS / CEILING

GAT-801

100 V LINE TRANSFORMER CEILING SPEAKER



- ✓ Crisp and clean sound
- ✓ Quick installation system
- ✓ ABS built with fireproof case and steel grille

ESPECIALLY RECOMMENDED IN:



Hospitality



Retail



Hotels



All sectors



+ Info:

<https://fonestar.com/GAT-801>

DESCRIPTION

Ceiling loudspeakerIt delivers crisp, clean sound, perfect for both speech and background music.ABS built and protective steel grille that guarantees its integrity.It has a quick installation system that minimizes assembly time.For background music and voice announcements in 100 V line installations in offices, small shops, restaurants, waiting rooms, etc.

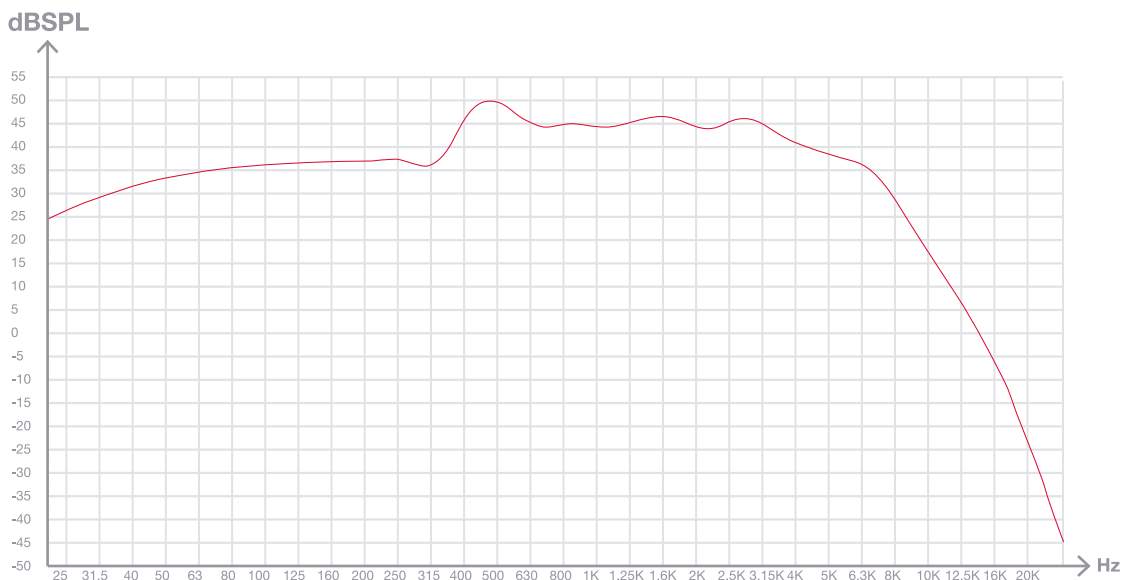
TECHNICAL CHARACTERISTICS

FEATURES	Ceiling loudspeaker with 100 V line transformer and round grille.
POWER	20 W maximum, 10 W RMS
LOUDSPEAKERS	8" double cone
RESPONSE	75-16,000 Hz
IMPEDANCE	10 W RMS@100V (1,000 Ohm) 5 W RMS@100V (2,000 Ohm)
SENSITIVITY	93 dB ±3 dB at 1 W/1 m
MATERIAL	ABS and steel grille
COLOUR	White (RAL 9003)
DIMENSIONS	228 mm Ø x 90 mm depth
HOLE	205 mm Ø
WEIGHT	0.8 kg
	Quick installation system

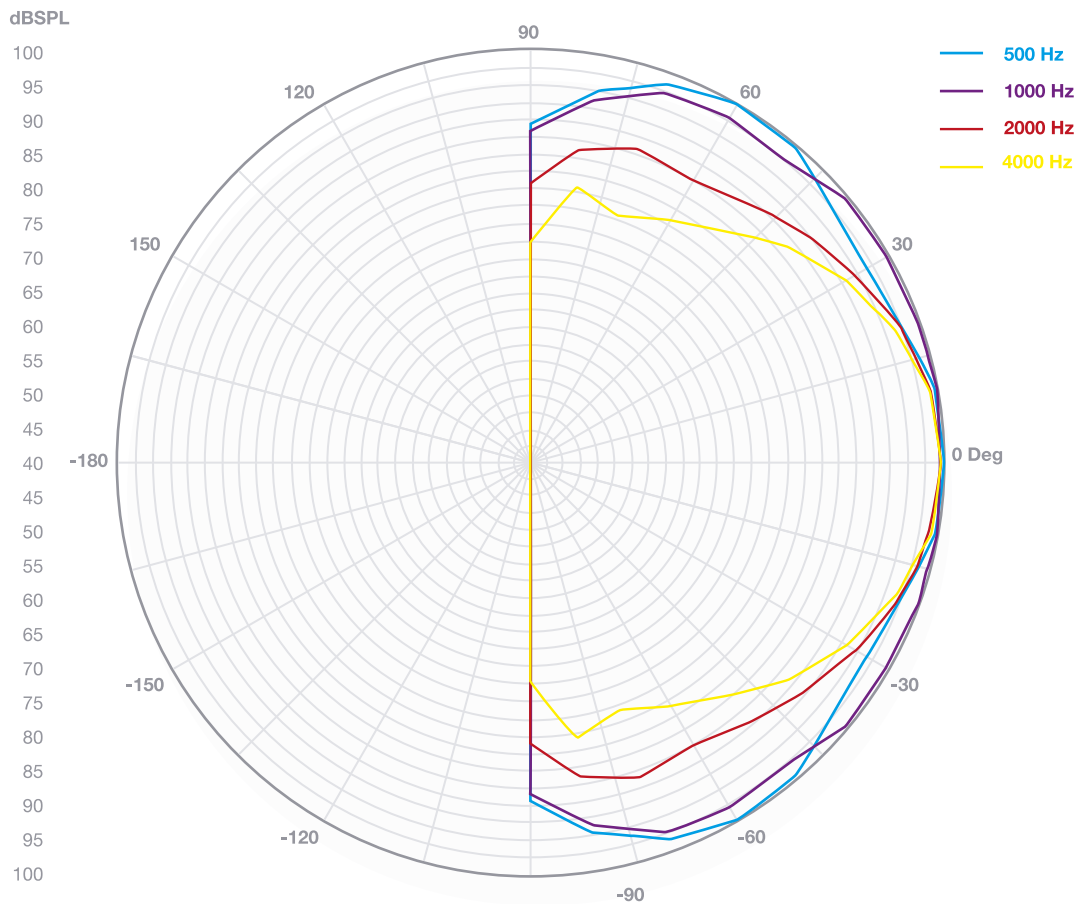


+ Info:
<https://fonestar.com/GAT-801>

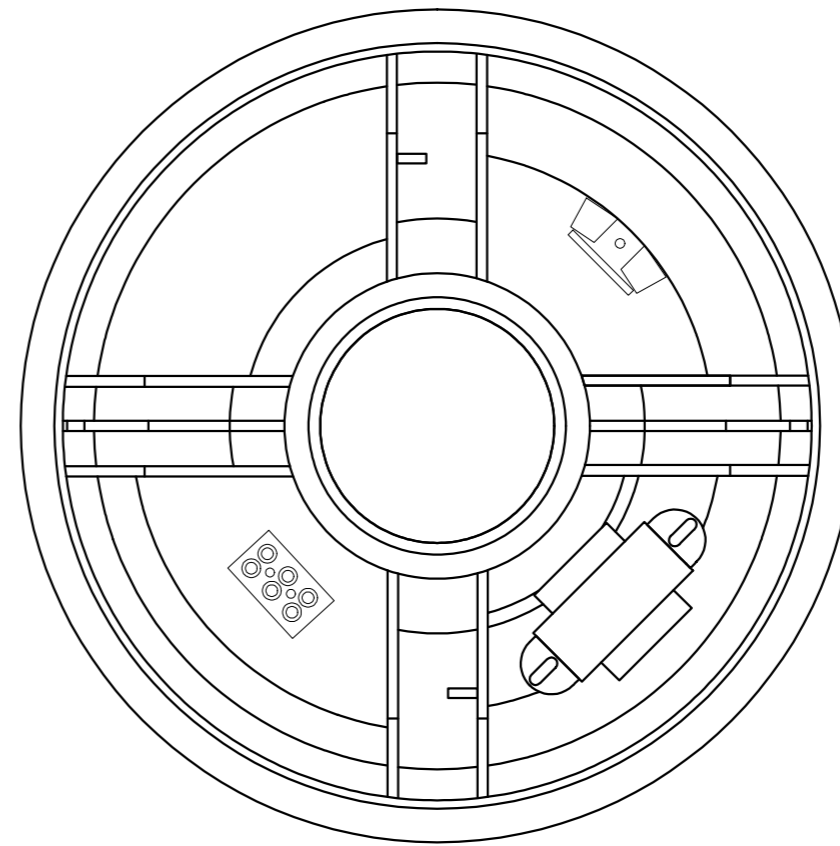
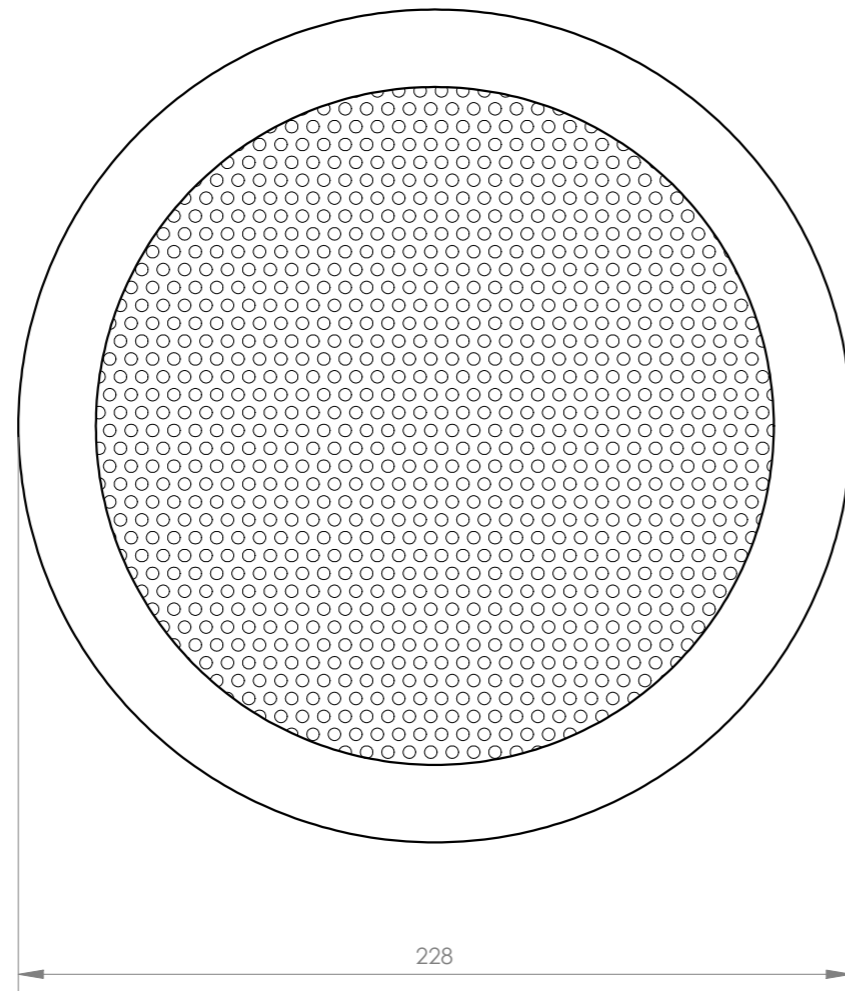
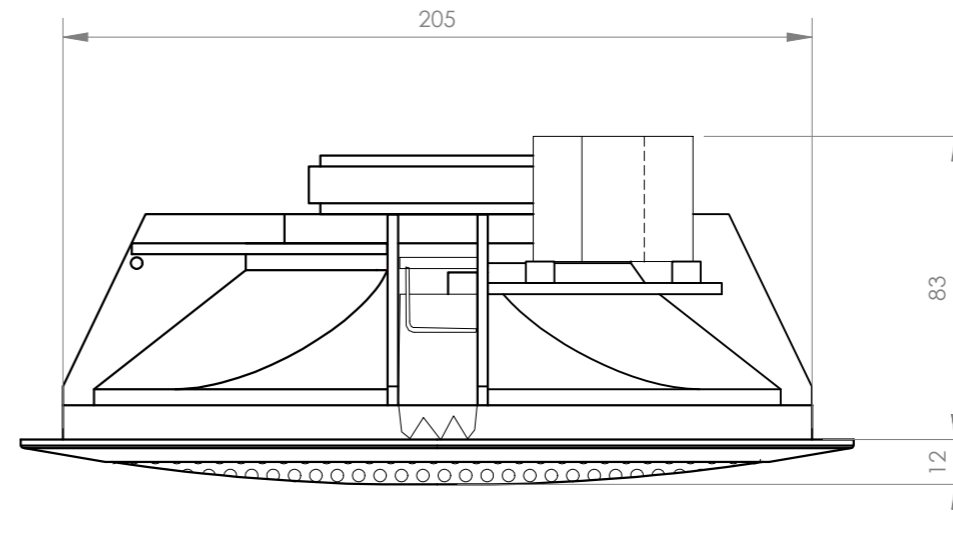
SPL vs Frequency



SPL vs Angle



+ Info
<https://fonestar.com/GAT-801>



FONESTAR	Model	Description	Units	Scale
	GAT-801	100 V LINE TRANSFORMER CEILING SPEAKER	mm	1:2