

PUBLIC ADDRESS / SPEAKERS / HANGING SPHERES

EF-333

100 V LINE TRANSFORMER AND LOW IMPEDANCE HANGING SPEAKER

**IP 54**

- ✓ Crisp, clean sound coaxial speaker
- ✓ Provides uniform horizontal coverage
- ✓ Modern design
- ✓ IP-54 protection
- ✓ Includes ceiling mount bracket for easy installation.



+ Info:
<https://fonestar.com/EF-333>

ESPECIALLY RECOMMENDED IN:



Factories



Sports facilities



All sectors

DESCRIPTION

Hanging coaxial loudspeaker Modern design that allows it to be integrated as a decorative element of your installation, making it go unnoticed. Coaxial speaker providing a crisp, clean sound, perfect for both speech and background music. It provides uniform horizontal coverage, suitable for solving reverberation and echo problems in rooms with high volume. Includes ceiling mount bracket for easy installation. Constructed with protection for protected outdoor use. For public address and background music applications in 100 V or low impedance line installations in gymnasiums, sports facilities, industrial halls as well as restaurants, shopping areas, etc.

TECHNICAL CHARACTERISTICS

FEATURES	Pendant loudspeaker with 100 V line transformer and low impedance. Coaxial speaker, crisp and clean sound. Uniform horizontal coverage. Modern design.
POWER	30 W maximum, 30 W RMS
LOUDSPEAKERS	Woofer: 5" Tweeter: ½"
RESPONSE	70-20,000 Hz
IMPEDANCE	100 V line high Z: 30 W RMS@100/70 V (330 Ohm/170 Ohm) 20 W RMS@100/70 V (500 Ohm/250 Ohm) 15 W RMS@100/70 V (660 Ohm/330 Ohm) 10 W RMS@100/70 V (1.000 Ohm/500 Ohm) 5 W RMS@100/70 V (2.000 Ohm/1.000 Ohm) Low Z: 30 RMS@8 Ohm
SENSITIVITY	91 dB at 1 W / 1 m
DISPERSION	90°
PROTECTION	IP-54
MATERIAL	Extra resistant ABS and aluminium grille
COLOUR	White (RAL 9002)
CABLE	4 m
DIMENSIONS	187 mm Ø x 245 mm high
WEIGHT	2.1 kg



+ Info:
<https://fonestar.com/EF-333>

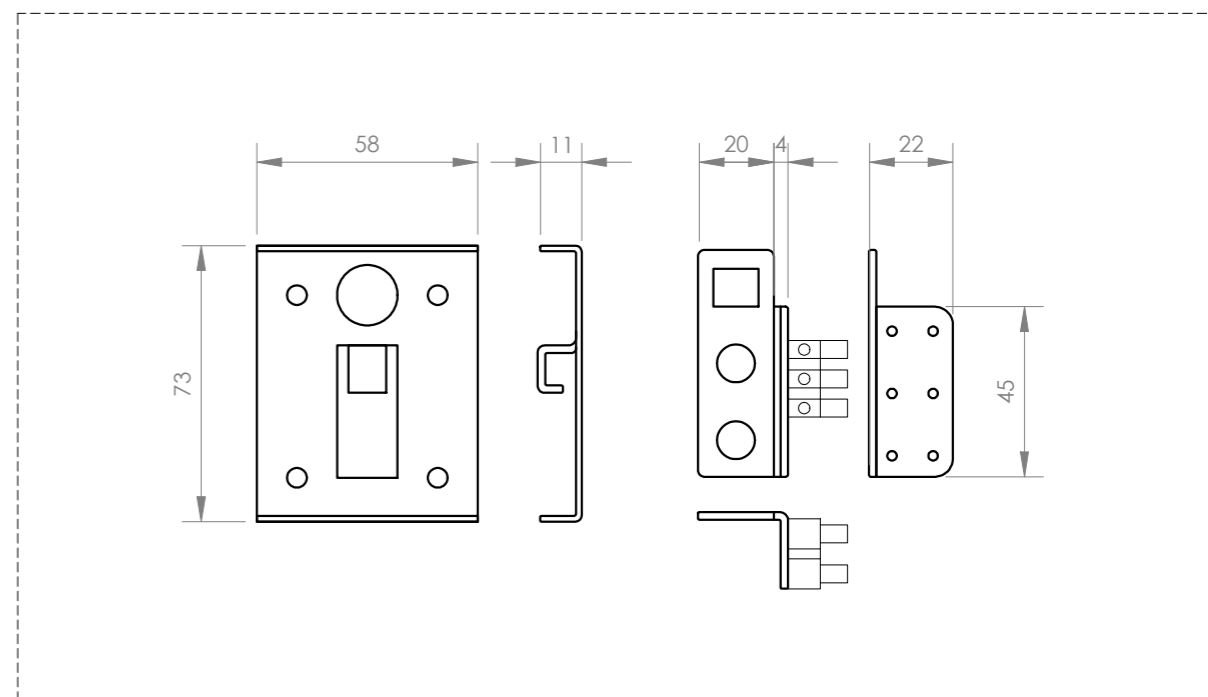
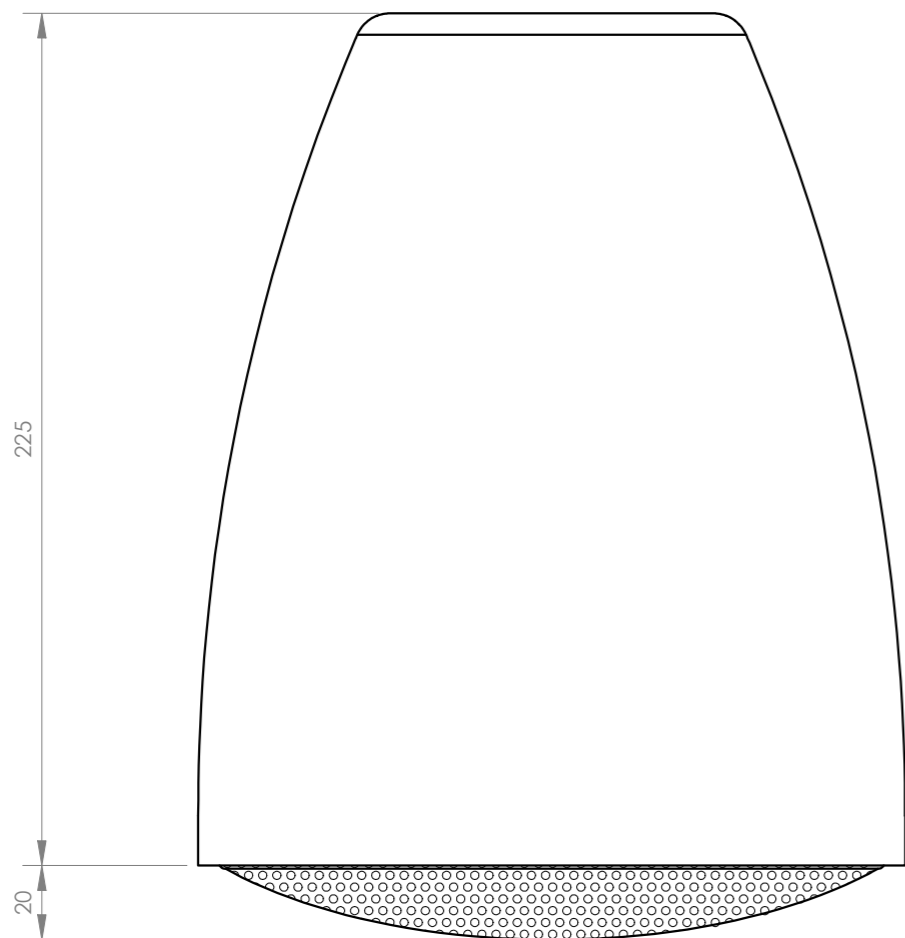
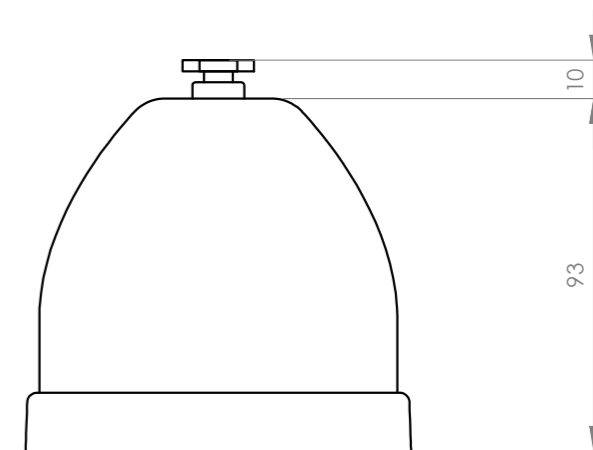
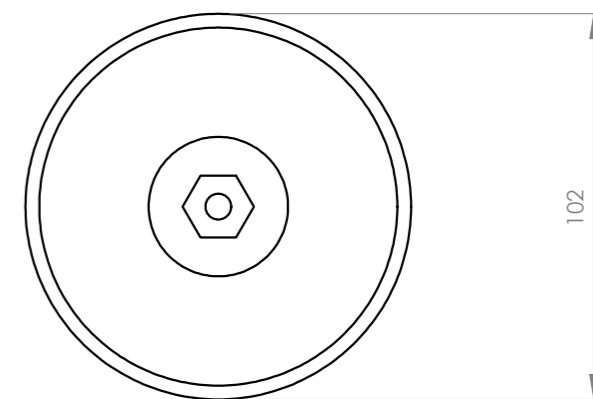
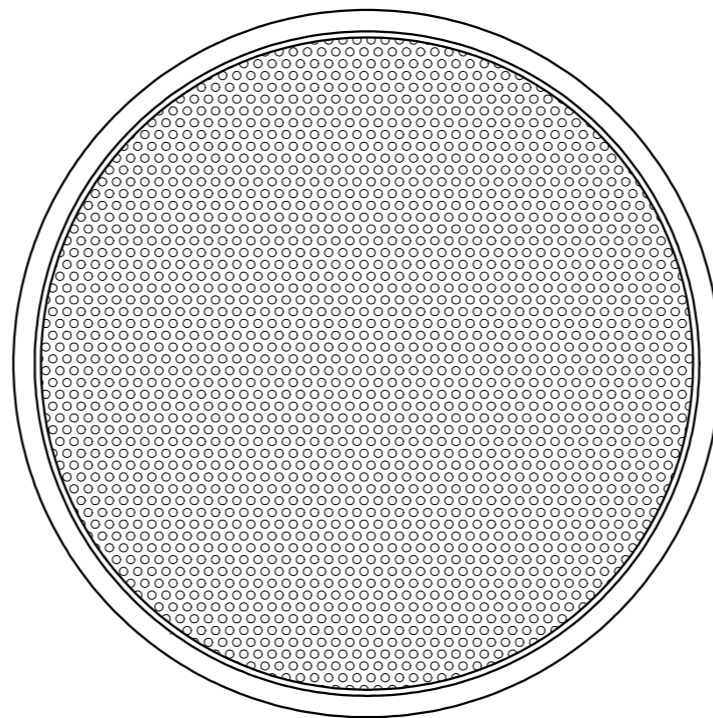
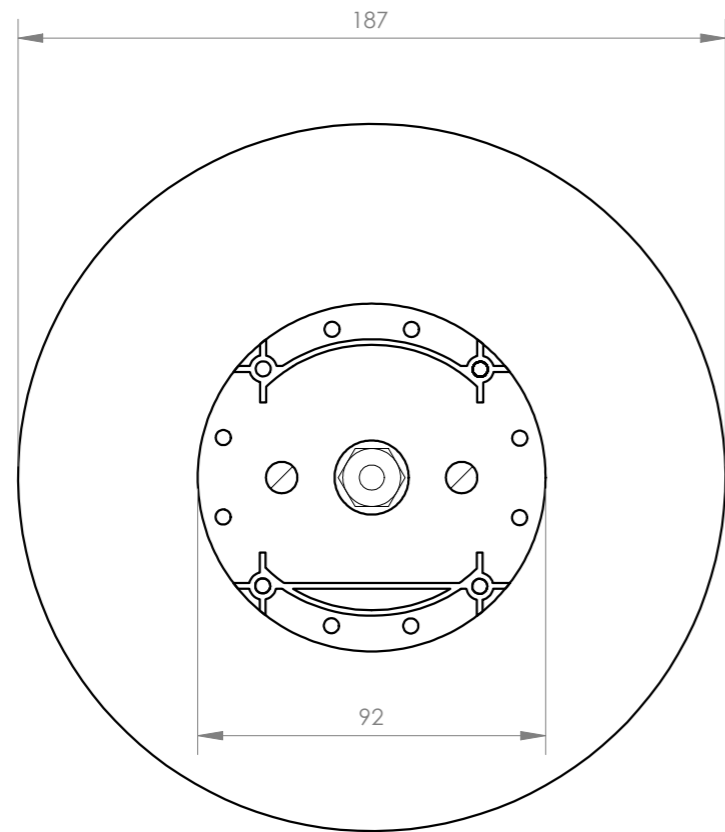
ACCESSORIES

Ceiling mounting bracket



+ Info:

<https://fonestar.com/EF-333>



FONESTAR	Model	Description	Units	Scale
	EF-333	100 V LINE TRANSFORMER AND LOW IMPEDANCE HANGING SPEAKER	mm	1:2