

UH34 SE Datasheet

Yealink USB Wired Headset

The Yealink UH34 SE, available in monaural (UH34 SE Mono) and binaural (UH34 SE Dual), is a professional **USB-wired headset** with crystal-clear audio. The UH34 SE offers a lightweight form factor that is comfortable to wear, even for an entire workday. It's suitable for workers who spend a lot of time wearing headsets for voice communications. Provided with Yealink USB Connect software and Yealink Device Management Platform/Cloud Service, you can easily check the device information and upgrade the firmware of one or multiple UH34 SE headsets.



Key Features

Simple and Flexible Connectivity

Runs right out of the box, and a USB plug-and-play setup makes the connectivity to the PC. You can enjoy a reliable call experience with soft clients. Perfect match with Yealink IP phones give you optimized audio quality.

Ultra-lightweight, All Day Wearing Comfort

Built for comfort with soft ear cushions and ultra-lightweight materials, the UH34/UH34 Lite is 10%~30%* lighter than other **conference headsets** in the same range. Its ergonomic design makes this headset comfortable enough for long conference calls and all-day use. (* Test data provided by Yealink Lab)

Unparallel Audio Experience

Made for calls and music, UH34/UH34 Lite is kitted out with a high signal-to-noise ratio speaker and independent cavity design. The passive noise cancellation creates a richer and clearer conversations with reduced background noise.

Intuitive Controller

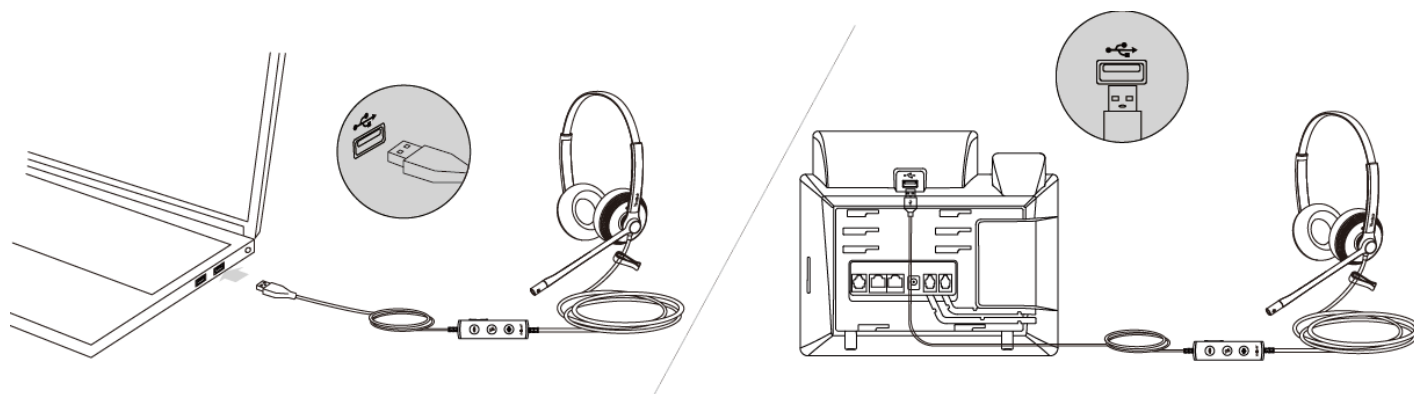
The hand-held controller with LED indicator provides easier access to key call control capabilities, including answer call, end call, reject a call, and mute/unmute.

Specifications

Specifications	Introduction
Main Features	<ul style="list-style-type: none"> · Plug-and-play - USB connectivity to Yealink IP phones, including T41S/T42S/T46S/T48S/T42U/T43U/T46U/T48U/T53/T53W/T54W/T57W/T58A/VP59 (T41S/T42S/T46S/T48S should be upgraded to version 82 or higher) · HD Voice/Wideband speaker performance · Noise-canceling microphone and passive noise cancellation · ActiveProtection technology safeguards users from acoustic injury · Integrated LED indicator and warning tone · 320° bendable boom arm for easy adjustment without breaking · Compatible with Linux
General	<ul style="list-style-type: none"> · Headset cable length: 1.2 m (from headset to call control unit) · USB cable length: 0.9 m (from call control unit to USB plug) · Supported operating systems: Microsoft Windows® 8/8.1/10, Apple Mac OS · Color: Black · Weight: UH34 SE Mono: 88 g / UH34 SE Dual: 118 g · Storage temperature: -30 °C to +70 °C · Operating temperature: -10 °C to +50 °C
Microphone	<ul style="list-style-type: none"> · Microphone type: Uni-Directional ECM · Microphone frequency response range: 100 Hz - 10 kHz · Microphone bandwidth: Wideband · Microphone sensitivity: -44.0 dB re. 1 V/Pa
Speaker	<ul style="list-style-type: none"> · Speaker size: 28 mm · Speaker sensitivity: 93 dB SPL @1 kHz · Speaker frequency response range: 20 Hz-20 kHz · Speaker impedance: 32Ω, @1.0 kHz · Speaker input power: 30 mW of potency · Speaker bandwidth: Wideband
Hearing Protection	<ul style="list-style-type: none"> · Acoustic limitation: 110 dB
Easy Call Management	<ul style="list-style-type: none"> · Answer/End/Reject/Hold a call · Volume up/down · Microphone mute · Redial last outgoing call
Package Features	<ul style="list-style-type: none"> · Package contents: - UH34 SE Mono Headset or UH34 SE Dual Headset - Quick Start Guide · Qty/CTN: 20 PCS · N.W/CTN: UH34 SE Mono: 2.870 kg / UH34 SE Dual: 3.486 kg / UH34 Lite Dual: 3.326 kg · G.W/CTN: UH34 SE Mono: 3.576 kg / UH34 SE Dual: 4.202 kg · Giftbox size: 170 mm x 195 mm x 63 mm · Carton Meas: 345 mm x 325 mm x 400 mm

Connection

When you use UH34 SE in some uncertified communication platforms, as a minimum, it works as audio only.



**Đơn vị cung cấp tai nghe Yealink UH34 SE:
 CÔNG TY TNHH CUNG ỨNG NGỌC THIÊN
 Điện thoại: 028 777 98 999
 Email: info@vnsup.com**