



INTEGRATED AUDIO COLLABORATION SYSTEM

AM-CF1B
(3CU/H/W)

■ DESCRIPTION

The AM-CF1B is a professional conferencing audio system equipped with a real-time steering array microphone and active stereo speakers, which supports USB, Bluetooth®, Codec and analog audio interfaces for web conferencing applications in small to medium size meeting spaces. A line array microphone enables to track sound automatically, helping to clearly pick up the voice of a particular participant. Built-in AEC (Acoustic Echo Cancellation), NC (Noise Cancellation), and EQ maximize performance making collaboration between remote sites a very natural experience. Seven LED indicators help reliable communications by visualizing presenter location, input voice level and mute status. Extra USB service ports are also available for local connections with other USB devices such as webcam.

■ SPECIFICATIONS

Version	3CU	H	W
Power Source	12 V DC (supplied from the specified AC adapter (accessory)) or 52 V DC (supplied from the specified PoE extender)		
Current Consumption	3.5 A or less		
Input	USB Audio: 2 channels, USB 3.0/USB 2.0/USB 1.1 3.0 type-B port Bluetooth: 2 channels (A2DP1.3 (stereo), HFP1.6) Codec: 1 channel, -10 dB (*1), 10 kΩ, unbalanced, RCA pin jack AUX: Stereo 1 channel, -10 dB (*1), 10 kΩ, unbalanced, RCA pin jack		
Output	USB Audio: 2 channels, USB 3.0/USB 2.0/USB 1.1 3.0 type-B port Bluetooth: 1 channel (HFP1.6) Codec: 1 channel, -10 dB (*1), 600 Ω, unbalanced, RCA pin jack AUX: Stereo 1 channel, 4 dB (*2), 600 Ω, electronically-balanced, removable terminal block (6 pins) Internal speaker: 2-way (woofer × 2, tweeter × 1) × 2, 10 W × 2		
USB Hub Port	USB 3.0/USB 2.0/USB 1.1 type-A port		
Control Input	2 channels, no-voltage make contact input, open voltage: 12 V DC, short-circuit current: 2 mA or less, removable terminal block (6 pins)		
Control Output	2 channels, relay contact output, withstand voltage: 30 V DC, control current: max. 300 mA, removable terminal block (6 pins)		
Network I/F	10BASE-T/100BASE-TX, RJ-45		
Microphone	Unidirectional electret condenser microphone		
Frequency Response	20 Hz - 20 kHz (AUX IN - AUX OUT)		
Operation	Power switch, Bluetooth pairing, Mute, Volume Up/Down		
Indicators	Power (blue/green/yellow/red), USB connection (green/blue), Bluetooth (blue), Multifunction (green/red)		
Operating Temperature	0 °C to +40 °C (32 °F to 104 °F)		
Operating Humidity	90 %RH or less (no condensation)		
Finish	Body: Aluminum, black (RAL 9005 equivalent), 30 % gloss Punched net: Surface-treated steel plate, black (RAL 9005 equivalent), 30 % gloss Side cover: ABS resin, black (RAL 9005 equivalent)		
Dimensions	800 (W) × 83.2 (H) × 85.8 (D) mm (31.5" × 3.28" × 3.38")		
Weight	4.6 kg (10.14 lb)		
Accessory	AC adapter (DC cord length: 1 m (3.28 ft)) ...1, AC Power cord (2 m (6.56 ft)) ...1,	AC adapter (DC cord length: 1 m (3.28 ft)) ...1, AC Power cord (2 m (6.56 ft)) ...2,	(*3)
	USB cable (3 m (9.84 ft)) ...1, Removable terminal plug (6 pins) ...2, Wall mounting bracket (preinstalled on the unit) ...1, Hex wrench (M3) ...1		

(*1) 0 dB = 1 V

(*2) 0 dB = 0.775 V

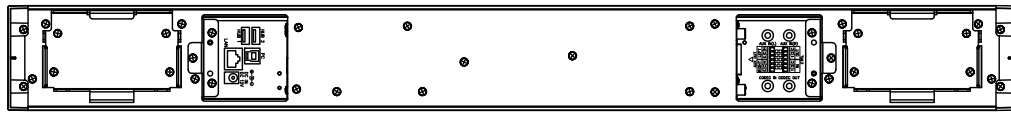
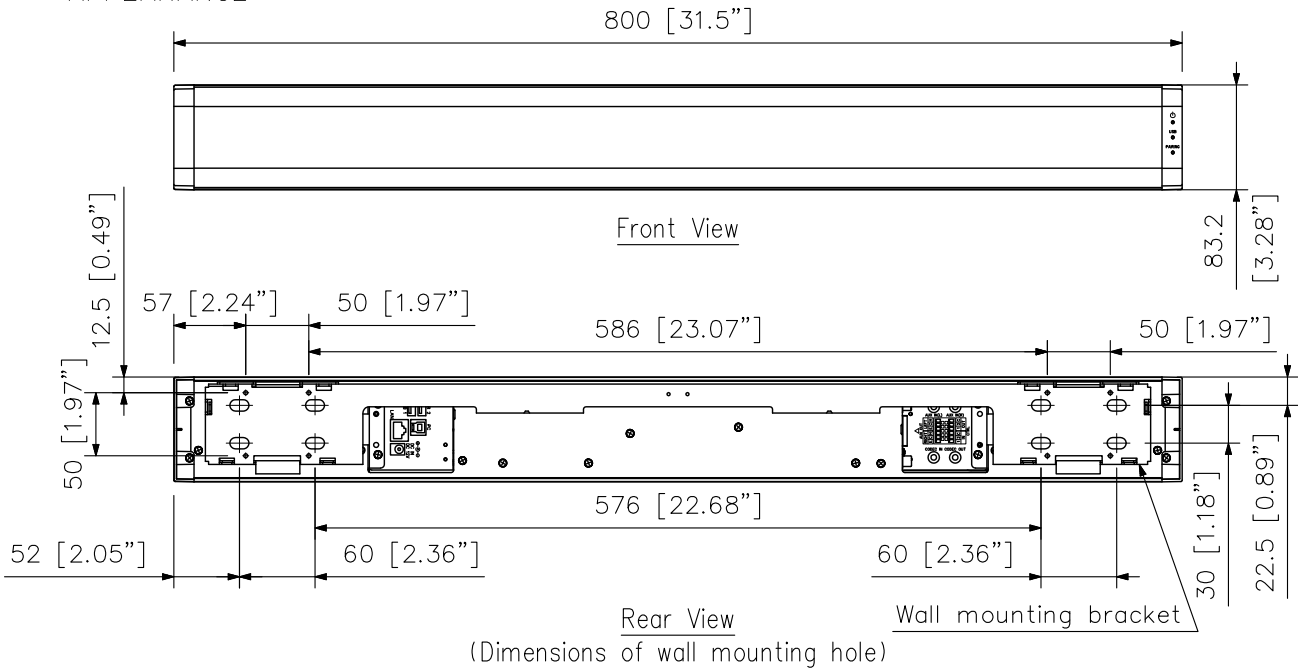
(*3) No AC adapter is supplied with the AM-CF1B(W). For the usable power supply cord and AC adapter, contact your nearest TOA dealer.

※ The Bluetooth® word mark and logos are registered trademarks owned by Bluetooth SIG, Inc. and any use of such marks by TOA Corporation is under license. Other trademarks and trade names are those of their respective owners.

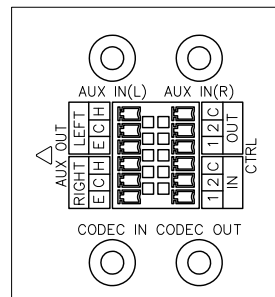
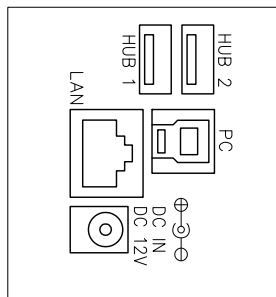
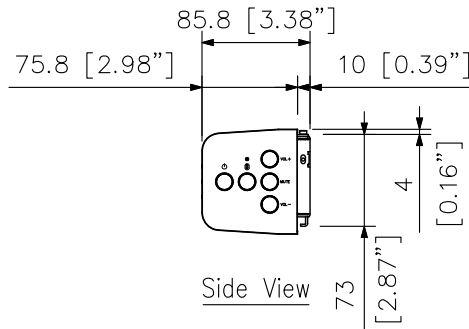
INTEGRATED AUDIO COLLABORATION SYSTEM

AM-CF1B
(3CU/H/W)

■ APPEARANCE



Rear View without wall mounting bracket



Enlarged view of Terminal

Version	3CU	H
AC plug		

UNIT: mm SCALE: 1/6