

DESCRIPTION

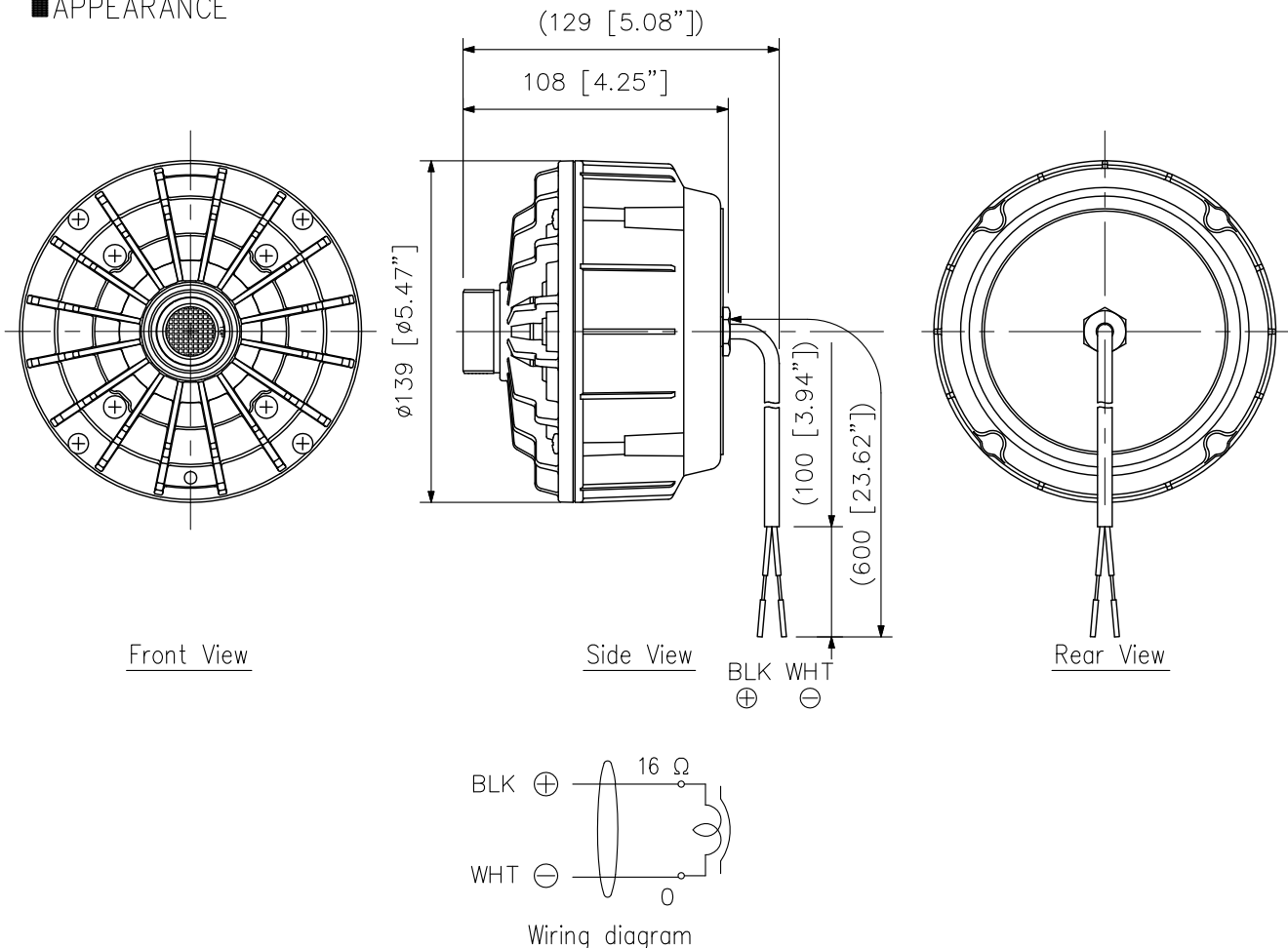
The TU-660 is a highly intelligible driver unit suited to public address announcement applications. Use the driver unit in combination with a suitable horn (option). Its powder-coated finish and stainless steel screws ensure the unit's weatherproof capability. Also employing a newly developed ring diaphragm ensures the unit's high frequency characteristics.

SPECIFICATIONS

|                       |   |
|-----------------------|---|
| Applicable Horns      | TH-650, TH-660  |
| Rated Input           | 60 W  |
| Rated Impedance       | 16 Ω  |
| Sensitivity           | 110 dB (1 W, 1 m) (When operated with JIS C 5504 standard horn.)  |
| Frequency Response    | 150 Hz – 8 kHz (When operated with JIS C 5504 standard horn.)   |
| Dust/Water Protection | IP65 (When a driver is operated with a horn.)   |
| Horn Coupling         | 1 – 3/8 18 threads (inch screw)   |
| Polarity              | Hot: Black, Com: White  |
| Operating Temperature | -20 °C to +55 °C (-4 °F to +131 °F) (no condensation)   |
| Finish                | Flange: Aluminum, gray, powder coating<br>Rear cover: ABS resin, gray<br>Screws: Stainless steel<br>Speaker cable: Polyvinyl chloride insulated cabtyre cable (6 mm (0.24") in diameter, 600 mm (23.62") in length) |
| Dimensions            | ø139 × 108 (D) mm (ø5.47" × 4.25")  |
| Weight                | 2 kg (4.41 lb)  |
| Option                | Driver unit cover: UC-200A<br>Matching transformer: TM-30T, TM-60T  |

Note: Avoid installing the speaker in locations which vibrate considerably, or under environments easy to be oil-contaminated. Doing otherwise may result in an accident such as falling of the unit.

APPEARANCE



UNIT:mm SCALE:1/3

Note: Numerical values in parentheses are for reference only.