

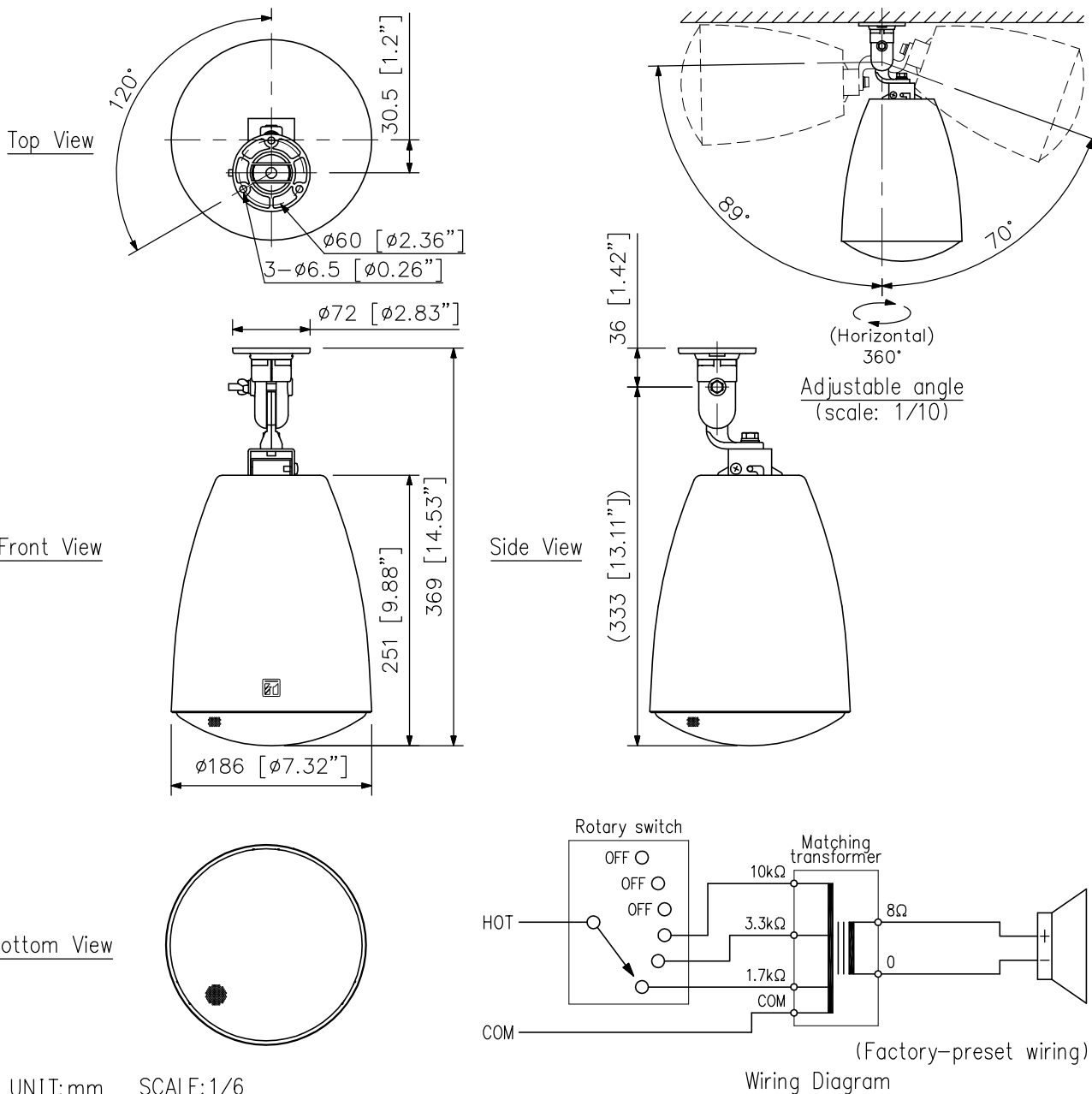
DESCRIPTION

The PJ-64 is a projection speaker designed for ceiling and wall installations. Considered in architectural design, it can blend in with lighting equipment. The supplied swivel bracket allows for flexible speaker angle adjustment. The PJ-64 is driven on high-impedance (100 V and 70 V) line. The input power (impedance) can be easily changed at the upper side of the speaker. The speaker is easy to repaint so as to meet a wide range of design needs.

SPECIFICATIONS

| | |
|--------------------|---|
| Enclosure | Bass-reflex type |
| Rated Input | 6 W (100 V line), 3 W (70 V line) |
| Rated Impedance | 100 V line: 1.7 k Ω (6 W), 3.3 k Ω (3 W), 10 k Ω (1 W) 70 V line: 1.7 k Ω (3 W), 3.3 k Ω (1.5 W), 10 k Ω (0.5 W) |
| Sensitivity | 90 dB (1 W, 1 m) (500 - 5,000 Hz, pink noise) |
| Frequency Response | 100 - 18,000 Hz (peak -20 dB) |
| Speaker Component | 12 cm (5") cone-type |
| Speaker Cord | 2-core cabtyre cord 60 cm (1.97 ft) with diameter of 6 mm (0.24") |
| Finish | Enclosure: HIPS resin, off-white (RAL 9010 or equivalent color) Grille: Surface-treated steel plate net, off-white (RAL 9010 or equivalent color), paint |
| Dimensions | $\phi 186 \times 369$ (H) mm ($\phi 7.32" \times 14.53"$) |
| Weight | 1.5 kg (3.31 lb) (unit only) |
| Accessory | Swivel bracket $\times 1$, Speaker mounting screw (4 \times 16) $\times 3$ |

APPEARANCE



UNIT:mm SCALE:1/6

(Factory-preset wiring)
Wiring Diagram