

Designed for paging calls and general announcements, the PM-660 desk-top microphone comes with a large talk switch and a lock lever for easy and convenient operation.



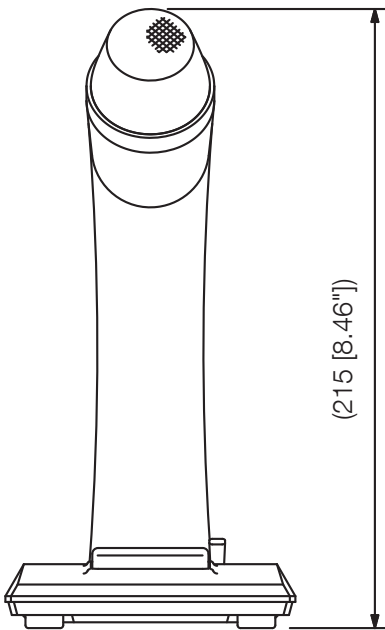
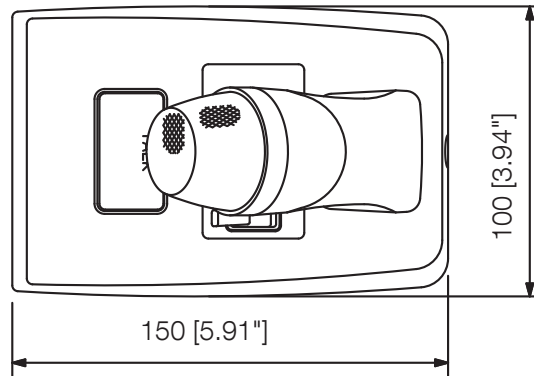
Article number:PM-660

Specifications

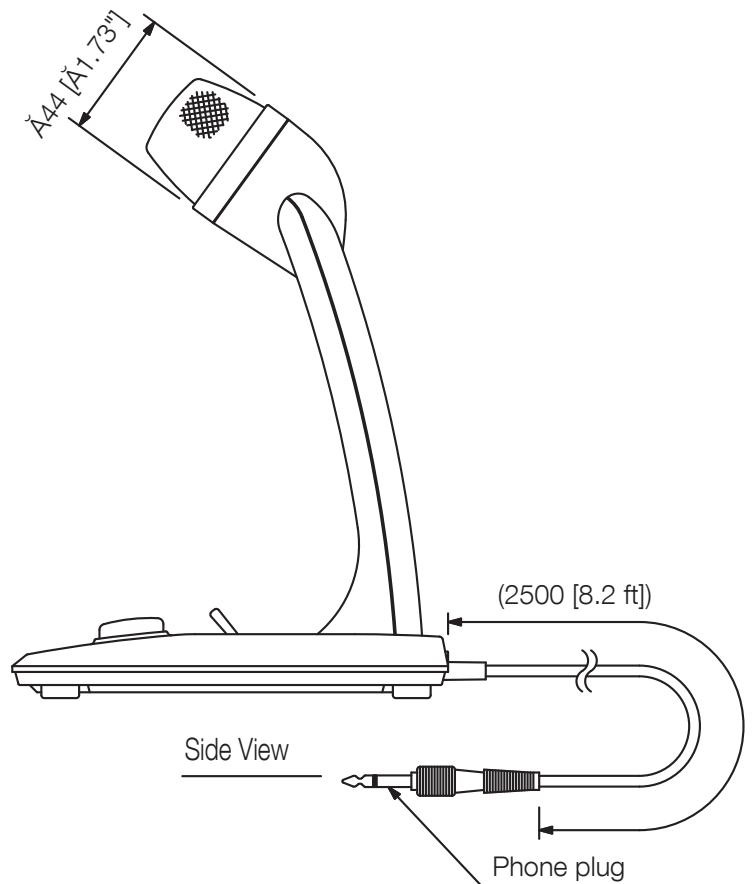
Controls	Push-to-talk switch, Locking lever, Short-off type
Frequency response	100 Hz - 10 kHz
Connection	2.5m cable with 6.3 mm mono phone plug
Rated impedance	600 Ω
Controls	Push-to-talk switch, Locking lever, Short-off type
Frequency response	100 Hz - 10 kHz
Directivity	Cardioid
Microphone sensitivity	-58 dB (1 kHz 0 dB = 1 V/Pa)
Connection	2.5m cable with 6.3 mm mono phone plug
Rated impedance	600 Ω

Appearance

Top View



Front View



Side View

UNIT:mm

SCALE:1/3

Note: Numerical values in parentheses are for reference only.