

The EM-800 is a slim, high-quality, cardioid condenser microphone designed for use in conference rooms, lecture halls, and paging applications. It can be easily plugged into a dedicated optional ST-800 Microphone Stand.

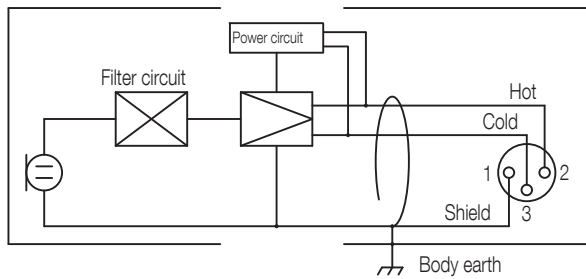
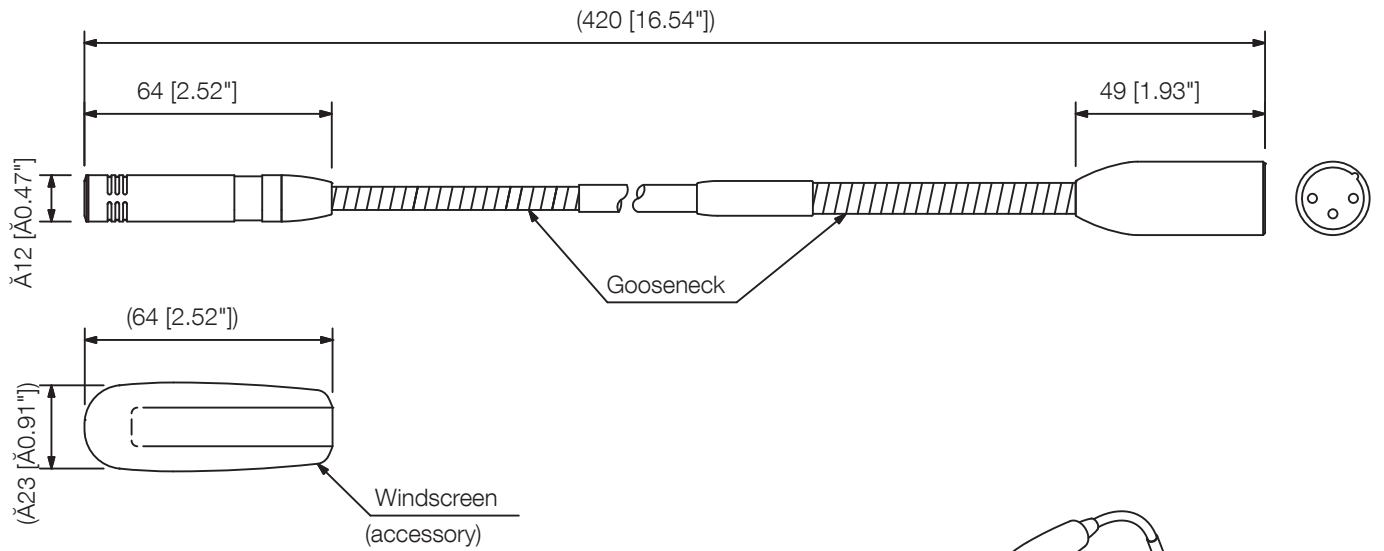


Article number: EM-800  
Alternative products: DM-524S, DM-524B

### Specifications

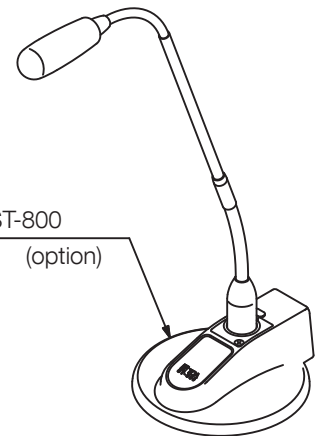
Frequency response	60 Hz - 20 kHz
Connection	XLR-3-12 equivalent
Rated impedance	120 $\Omega$
Phantom power	9 – 52 V DC
Frequency response	60 Hz - 20 kHz
Microphone type	Electret condenser microphone
Directivity	Cardioid
Microphone sensitivity	-35 dB (1 kHz 0 dB = 1 V/Pa)
Connection	XLR-3-12 equivalent
Rated impedance	120 $\Omega$
Finish	Copper alloy, semi-gloss, paint, black,

Appearance



Circuit diagram

Microphone Stand ST-800  
(option)



Mounting example

UNIT:mm SCALE:1/2